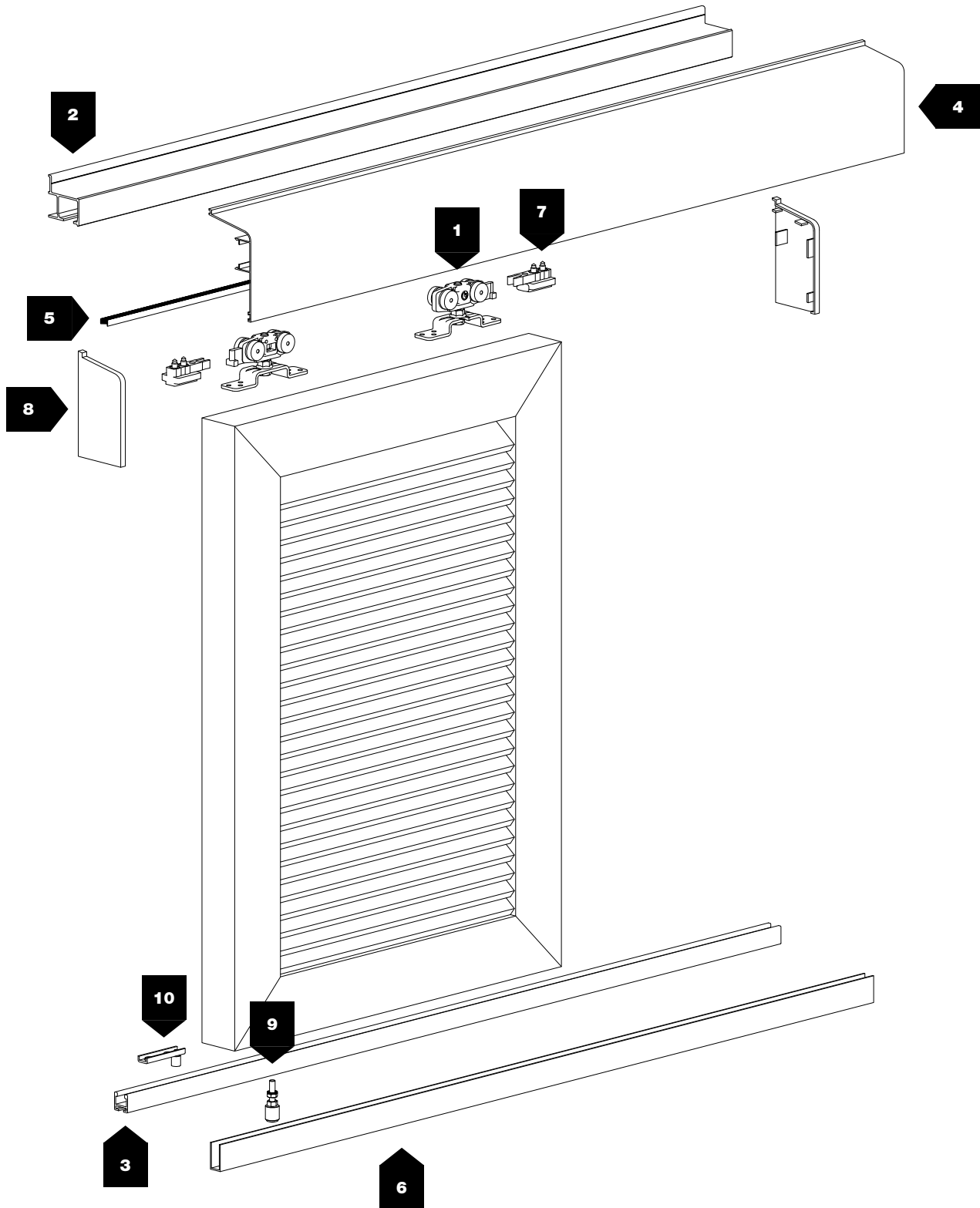




Gelosie Scorrevoli

Sliding shutters
Gelosie scorrevoli




50 mm


80 kg

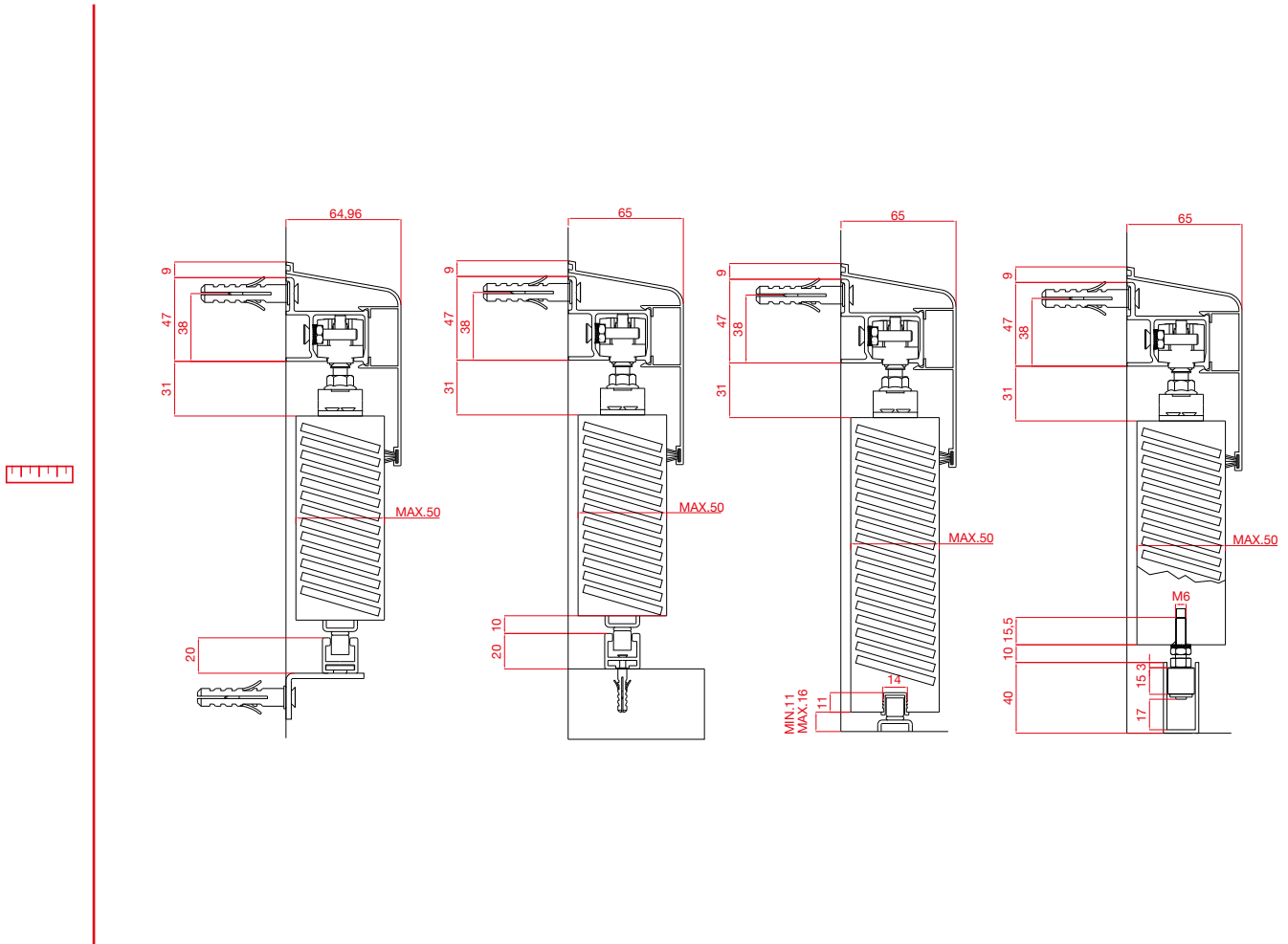
N°	Barcode	Image	kg		N°	Barcode	Image	kg	
1	56 S.56		80	INOX	7	53 S.53		80	INOX
2	204 8 01 0.00204		-		8	207 C.207/KIT		-	
3	220 8 01 0.00220		-		9	128/PV/8 S.128/PV/8		80	OPTIONAL +
4	210 8 01 0.00210		-			51 S.51		-	INOX
5	760/N 8 14 0.00760		-		226 S.226		-	INOX	
6	228 8 01 0.00228		-		10	124 S.124		80	INOX
						543 8 23 0.00543		-	OPTIONAL +

Tracks / Binari		ALUMINUM FINISHES CODES / CODICI FINITURE ALLUMINIO		
CODE / CODICE	FINISH COLOR / COLORE FINITURA			
8 01 0.0	01	A	Anodized Silver / Argento	STANDARD

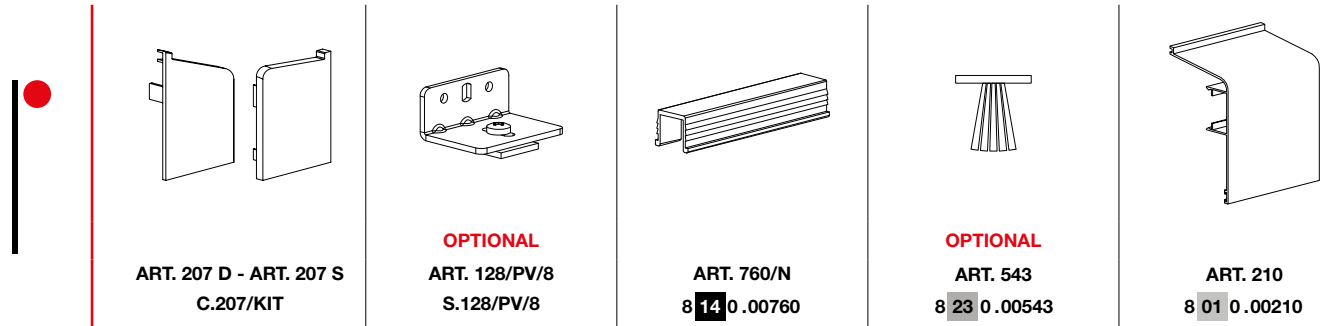
Tracks / Binari		PLASTIC FINISHES CODES / CODICI FINITURE PLASTICA		
CODE / CODICE	FINISH COLOR / COLORE FINITURA			
8 14 0.0	14	N	Anodized Black / Nero	STANDARD

Accessories / Accessori		PLASTIC FINISHES CODES / CODICI FINITURE PLASTICA		
CODE / CODICE	FINISH COLOR / COLORE FINITURA			
8 23 0.0	23	GR	Gray / Grigio	STANDARD

MEASUREMENTS DESCRIPTION / DESCRIZIONI MISURE



ACCESSORIES FOR SLIDING SHUTTER / ACCESSORI PER GELOSIA SCORREVOLE



ACCESSORIES FOR SLIDING SHUTTER / ACCESSORI PER GELOSIA SCORREVOLE

