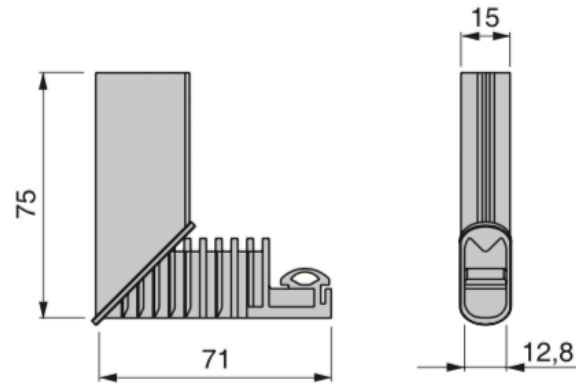


Reggitubo Cubit per tubo Silk

Cubit support for Silk rail



Cod.



60121	21	20
-------	----	----

Alluminio e tecnoplastica
Aluminium and plastic

