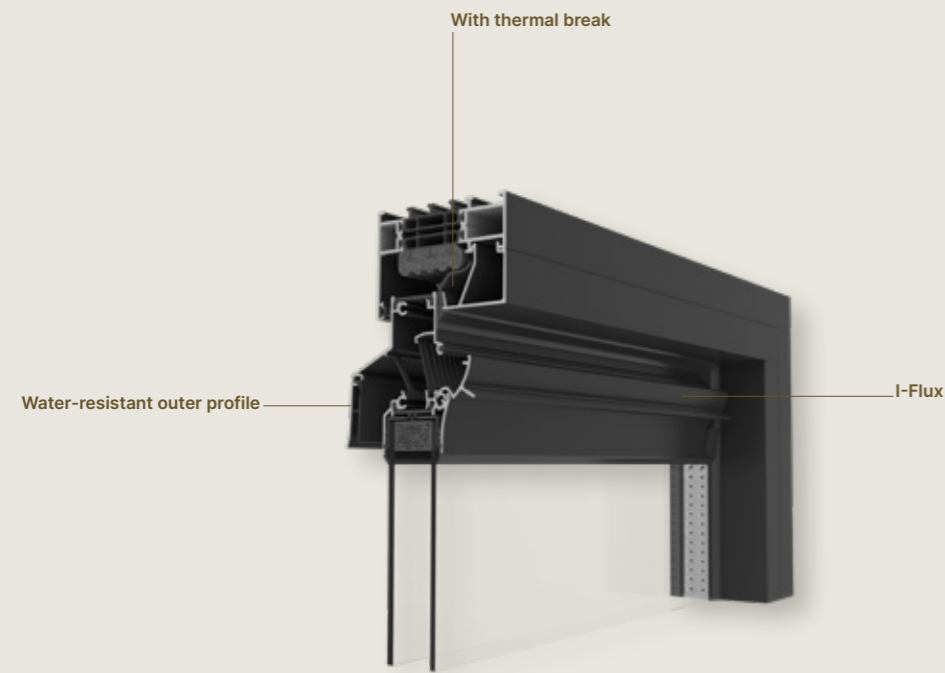


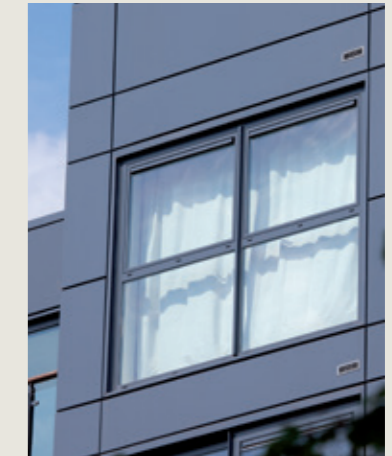
AR60

Self-regulating window vent

What sets AR60 apart is its curved inner profile that directs the incoming air flow upwards. On the outside, AR60 comes with a rain protection cover. The self-regulating valve prevents draughts and helps to minimise energy loss.



Technical details	
Airflow	
Equivalent area	10427 mm ²
Q at 1 Pa	8,2 l/s/m
Q at 1 Pa	29,5 m ³ /h/m
Q at 2 Pa	11,8 l/s/m
Q at 10 Pa	19,7 l/s/m
Q at 20 Pa	23,9 l/s/m
Sound reduction D_{n,e,w} (C;C_{tr})	
In open position	27 (0;0) dB
In closed position	44 (0;0) dB
Technical details	
Positions	5 positions
Controls	Cord, manual, rod
U value	4.5 W/m ² K
Airflow at 50 Pa	<15% (in closed position)
Watertightness in closed position	Up to 650 Pa
Watertightness in open position	Up to 100 Pa
Dimensions	
Glass reduction	60 mm
Height	76 mm
Glass thickness	20, 24 or 28 mm
Max. length	3500 mm



FLAP VENTILATORS
GLAZED-IN/AT TRANSOM

Technical properties	
Installation at transom	✓
With thermal break	✓
Self-regulating	✓
I-Flux	Fresh air supply without draughts, manually adjustable
Flat inner profile	-
Insect-proof	✓

