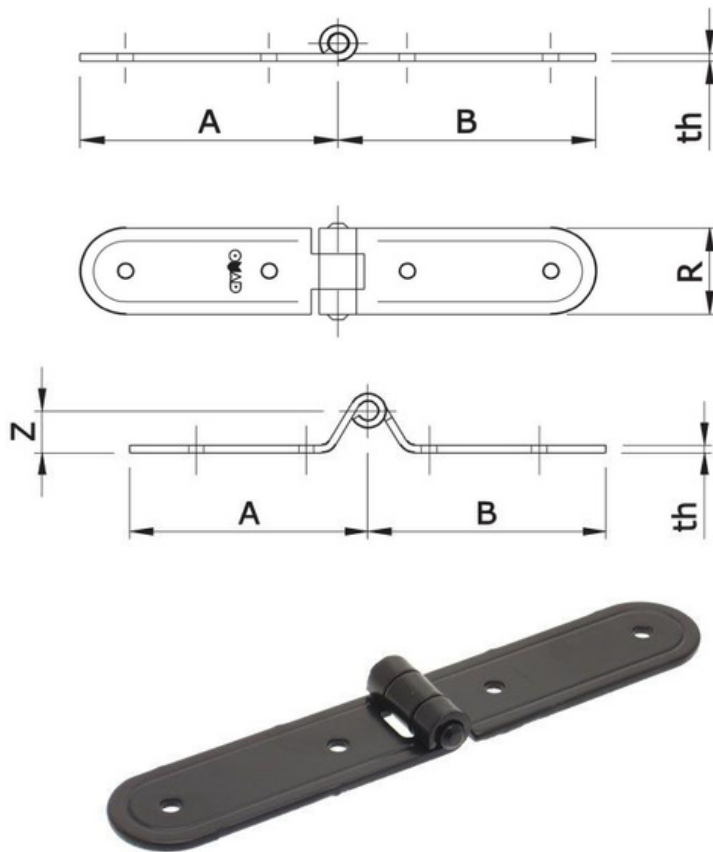


**Ferexpert**  
40



A	B	R	th	Diametro	Z
80	80	35	3	12	15
100	100	35	3	12	15
150	150	35	3	12	15
180	180	35	3	12	15
210	210	35	3	12	15
250	250	35	3	12	15