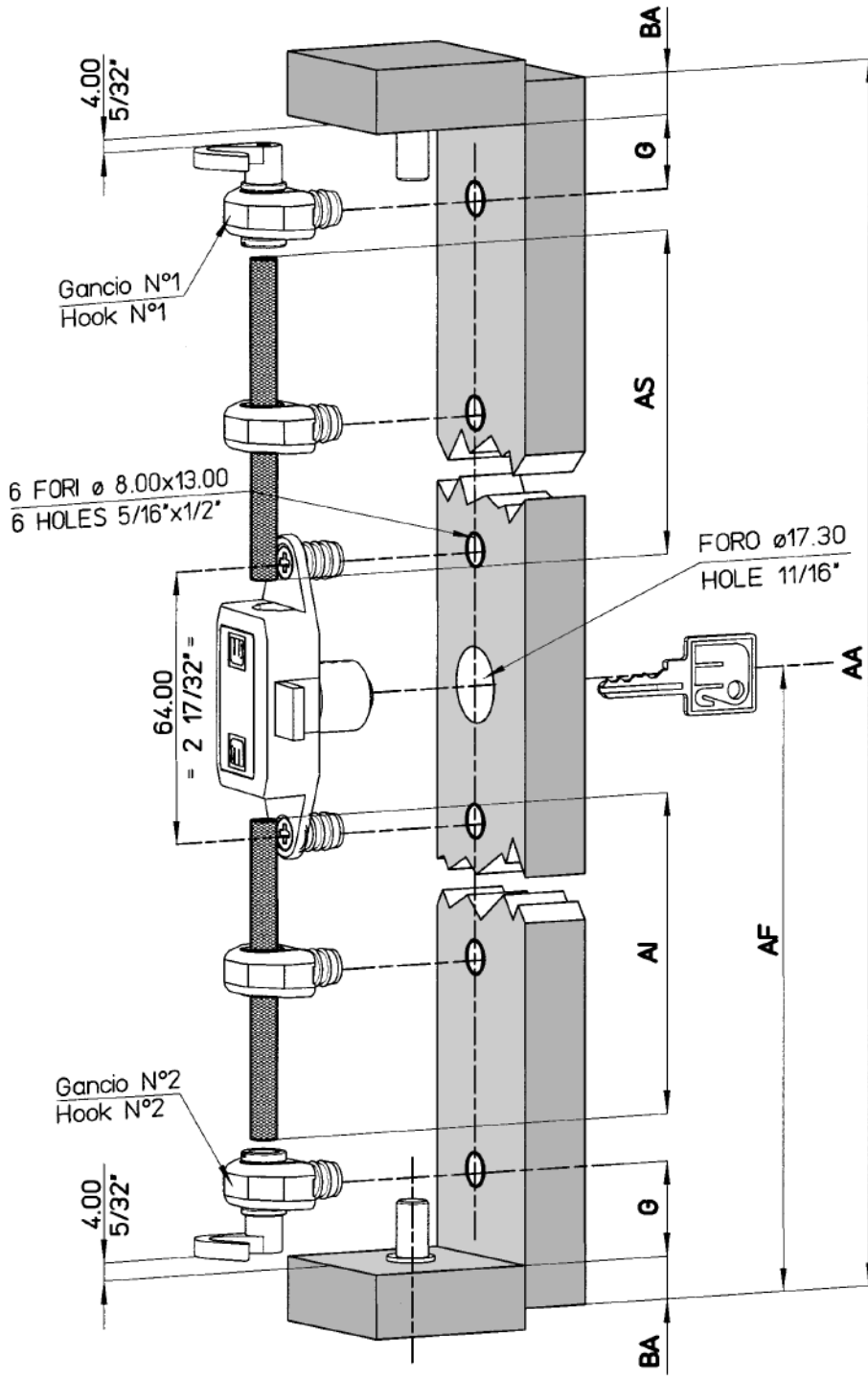


Schema di montaggio Art. 2182-2183

Mounting plan Art. 2182-2183

SERIE
21



6 FORI ø 8.00x13.00
6 HOLES 5/16"x1/2"

FORO ø17.30
HOLE 11/16"

64.00
= 2 17/32"

	DESCRIZIONE	
AA	DIMENSIONE ANTA	
AF	DISTANZA CILINDRO	
AI	LUNGHEZZA ASTA INFERIORE	
AS	LUNGHEZZA ASTA SUPERIORE	
G	DISTANZA GANCI	
BA	BATTUTA ANTA	
TC	TUBETTO COPRIASTA	
C	NUMERO FISSO	

GANCI	872	855-875-877
C	22.00	23.00
G	20.00 ^{+0.5}	23.50 ^{+0.5}
A	19.00 _{-0.5}	18.00 _{-0.5}
TC	ASTA-29mm	ASTA-32mm

☞ Serratura
☞ Lock

$AI = AF - BA - C$
$AS = AA - AF - BA - C$

	DESCRIPTION	
AA	DOOR SIZE	
AF	CYLINDER DISTANCE	
AI	LOWER BAR LENGTH	
AS	UPPER BAR LENGTH	
G	HOOKS DISTANCE	
BA	DOORSTOP	
TC	BAR COVER	
C	NUMBER FIXED	

HOOK	872	855-875-877
C	7/8"	29/32"
G	25/32" ^{+0.02}	59/64" ^{+0.02}
A	3/4" _{-0.02}	45/64" ^{+0.02}
TC	BAR-1 1/8"	BAR-1 1/4"

