

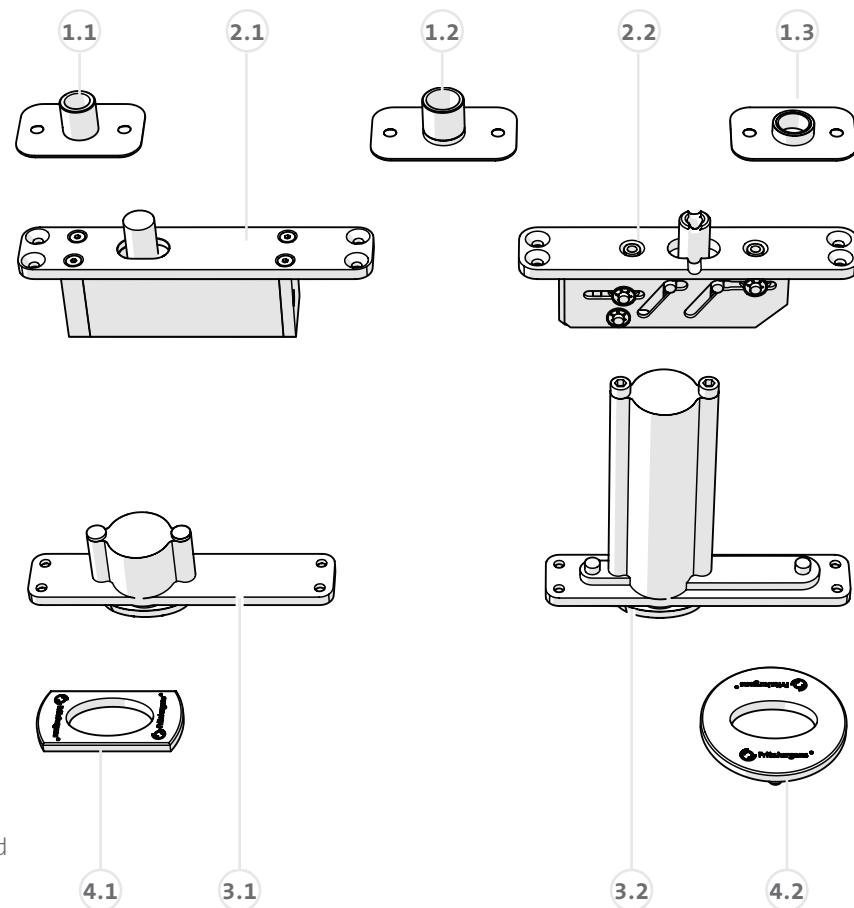


# FritsJurgens<sup>®</sup>

SYSTEM ONE / 3  
MILLING AND MOUNTING MANUAL

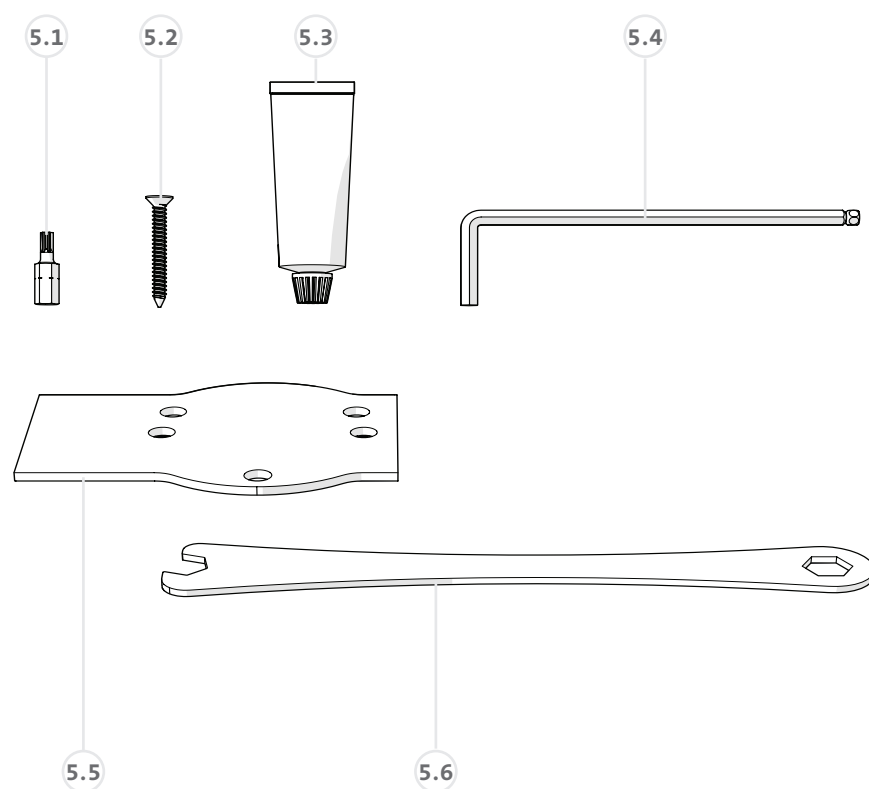
## BOX CONTENTS

### COMPONENTS



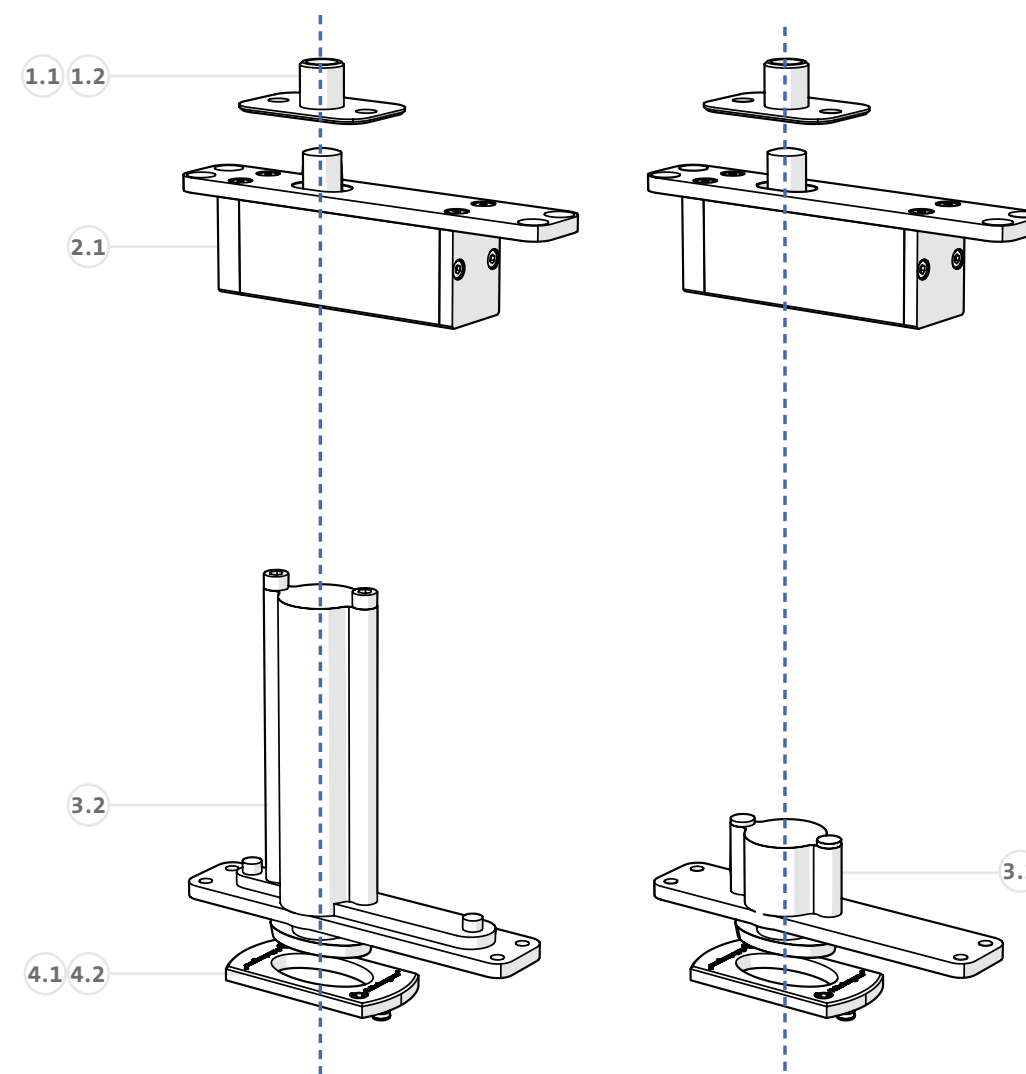
- 1.1 Ceiling plate - Class B
- 1.2 Ceiling plate - Class G
- 1.3 Ceiling plate - Cable Grommet
- 2.1 Top pivot 70 mm - Class B or G
- 2.2 Top pivot Cable Grommet
- 3.1 Bottom pivot System One
- 3.2 Bottom pivot System 3
- 4.1 Floor plate System One/3 - Squared
- 4.2 Floor plate System One/3 - Round

### MILLING AND MOUNTING KIT



- 5.1 Torx bit TX20 (1x)
  - 5.2 Screws (4x50) (10x)
  - 5.3 Fitting adhesive
  - 5.4 Allen key 5
  - 5.5 Fitting template
  - 5.6 Spanner\*
- \* Only for System 3

## SYSTEM OVERVIEW



### MILLING INSTRUCTIONS

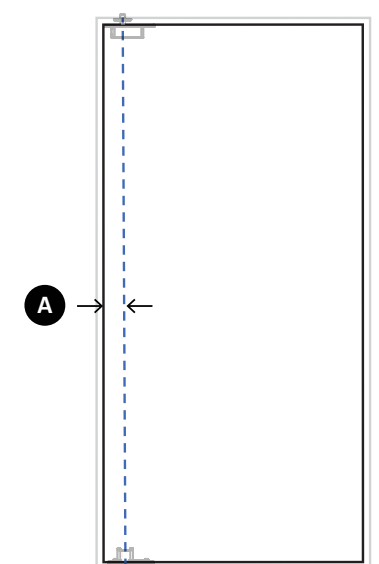
→ Determine pivot point A.

#### System One

- $70 \text{ mm} \leq A < 250 \text{ mm}$  → page 4
- $A > 250 \text{ mm}$  → page 8

#### System 3

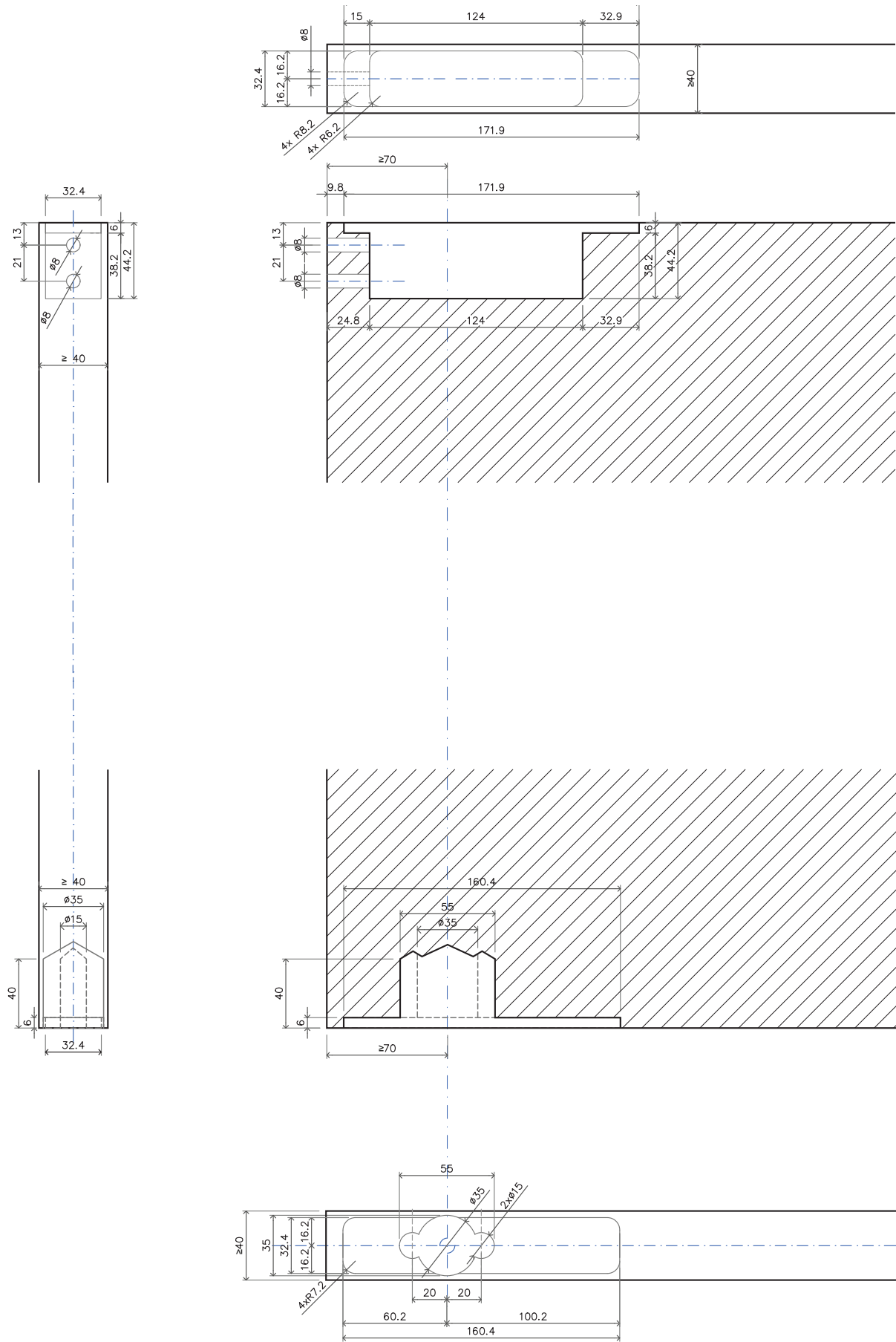
- $70 \text{ mm} \leq A < 250 \text{ mm}$  → page 6
- $A > 250 \text{ mm}$  → page 8



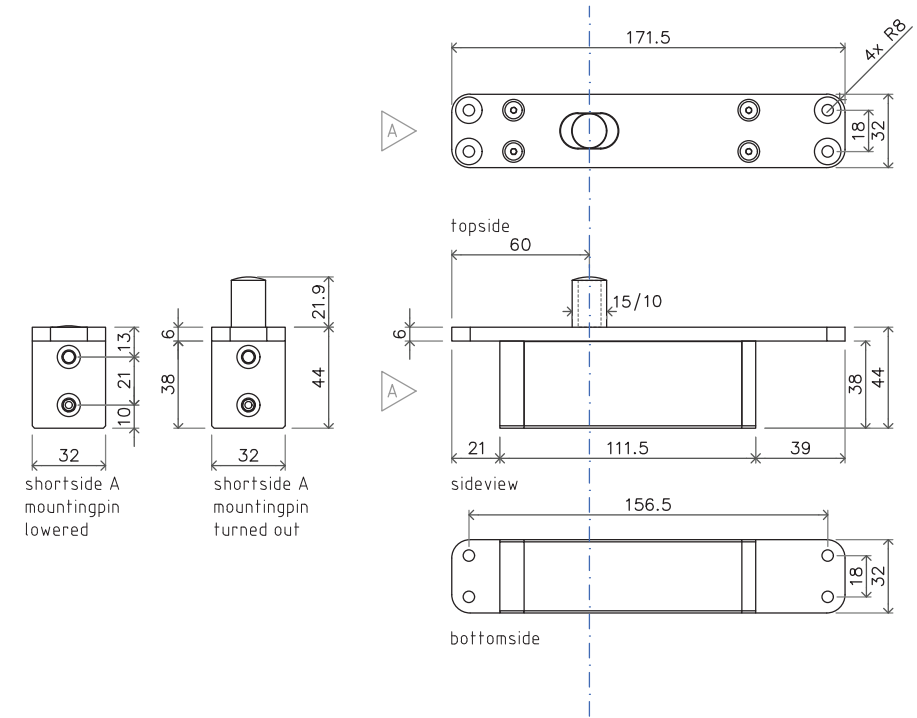
### MOUNTING INSTRUCTIONS

→ page 10

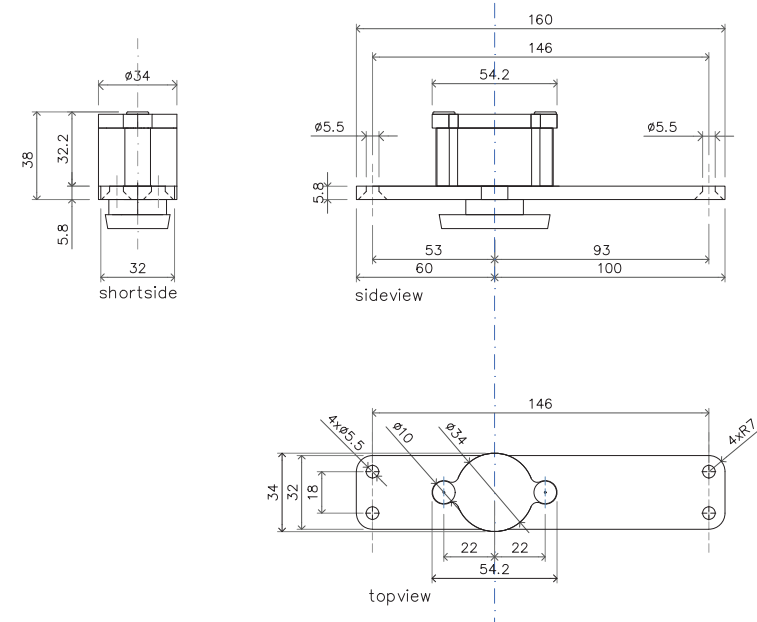
70MM ≤ A < 250 MM  
PREPARING THE DOOR



COMPONENTS

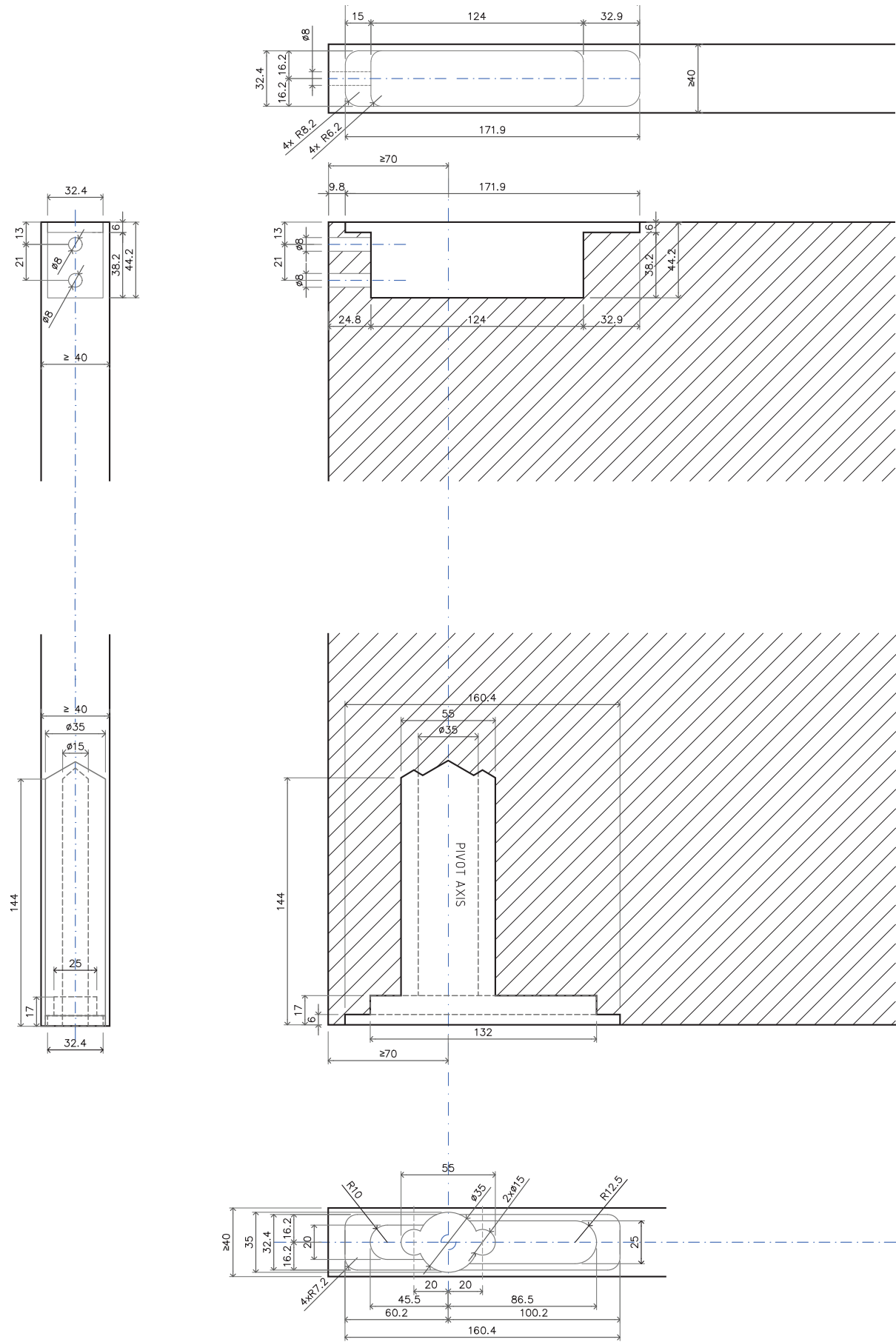


Top pivot 70 mm - Class B or G

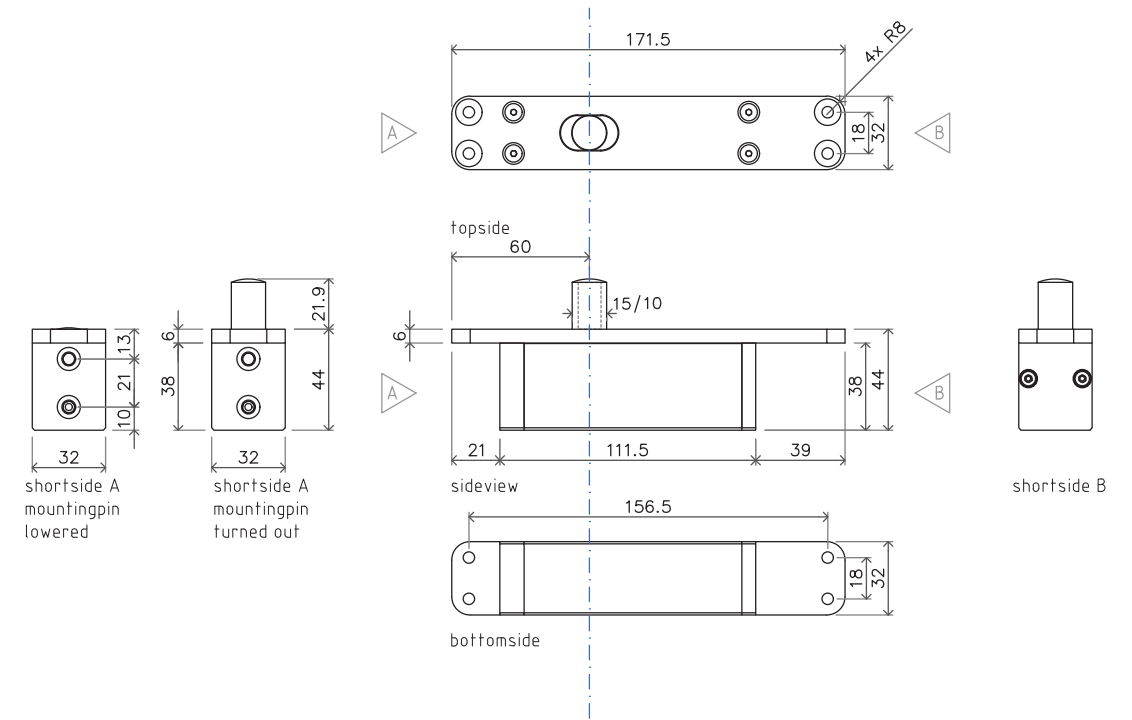


System One

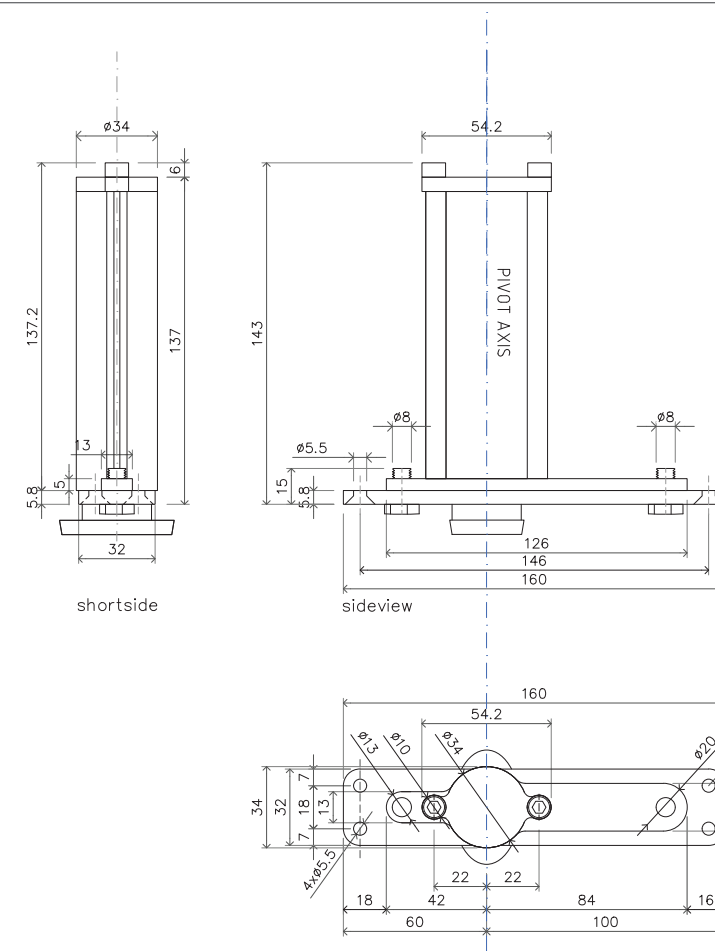
70MM ≤ A < 250 MM  
PREPARING THE DOOR



COMPONENTS



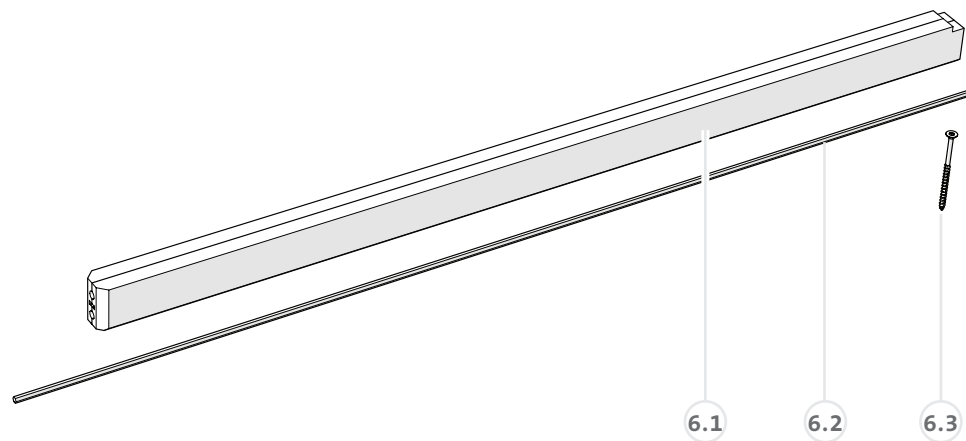
Top pivot 70 mm - Class B or G



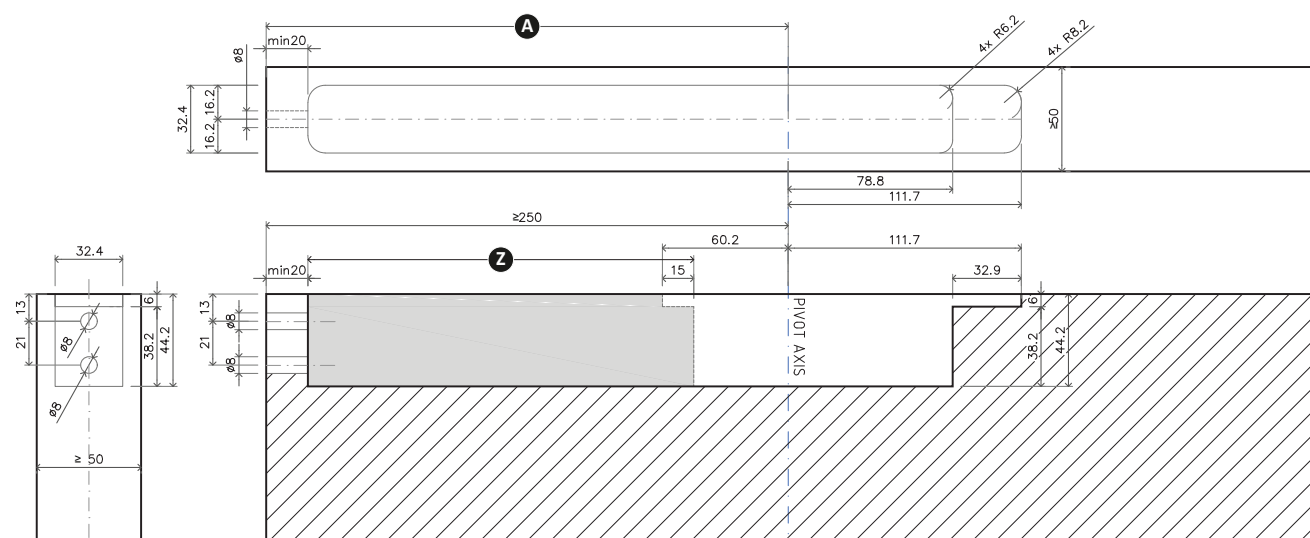
System 3

A > 250 MM  
SUPPORTING COMPONENTS

- 6.1 Hexagon Guide 1 m or Hexagon Guide 2 m
- 6.2 Hexagon 1.1 m or Hexagon 2.1 m
- 6.3 Screw (4x70) (4x) or Screw (4x70) (6x)

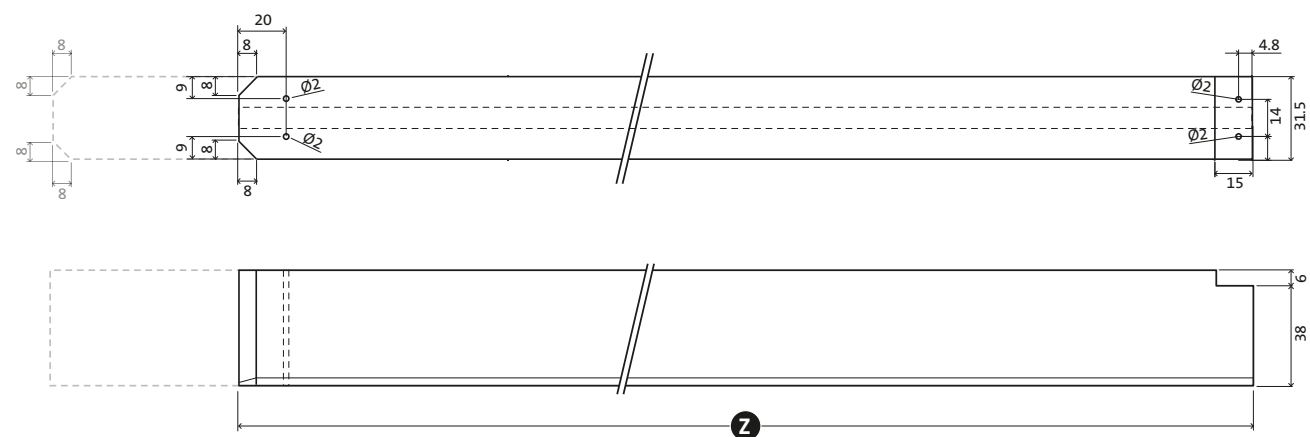


1 Determine Hexagon Guide length Z.



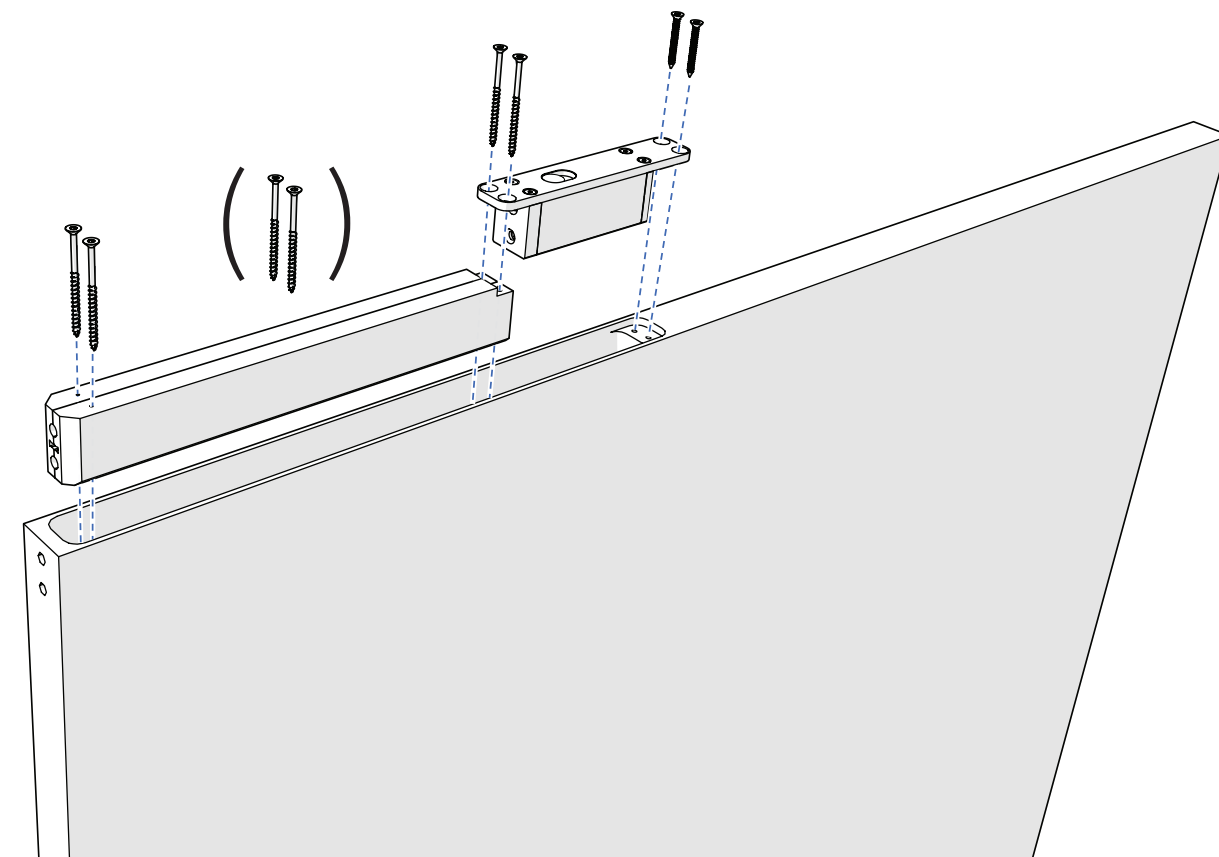
2 Cut the Hexagon Guide to size.

3 Chamfer the sides.



4 Drill holes for the mounting screws\*. If you use the 1 m Hexagon Guide, two screws are enough. If you use the 2 m Hexagon Guide, use an extra pair.

5 Mount the Hexagon Guide and the top pivot.



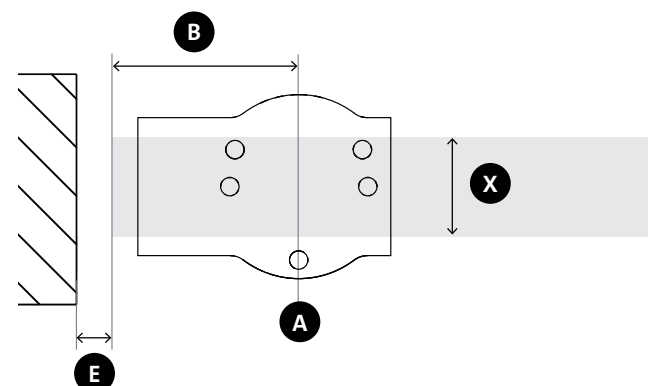
System One → continue on page 4

System 3 → continue on page 6

\* Alternatively, use glue (not included) to mount the Hexagon Guide.



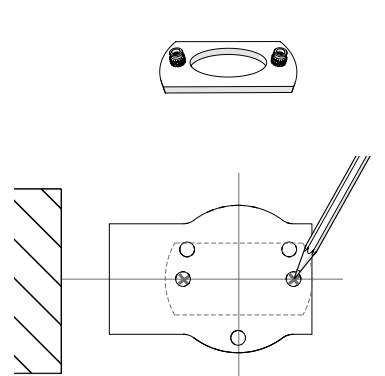
**1** Determine the position of pivot point **A** on the floor. Use the fitting template and the table below.



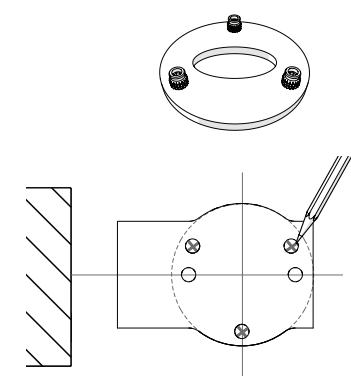
	40	50	60	70	80	90	100	X
<b>B</b>								
70	5	6	10	10	13	15	18	
91	4	5	7	9	10	12	15	
250	3	3	4	4	5	6	7	
500	2	3	3	3	4	4	5	
1000	2	2	3	3	3	3	3	
1500	2	2	2	2	2	3	3	
2000	2	2	2	2	2	2	3	<b>E</b>

**E** Minimum gap between door and wall (mm)  
**B** Distance pivot point to door edge (mm)  
**X** Door thickness (mm)

**3** Mark the drilling holes on the floor. Use the fitting template.

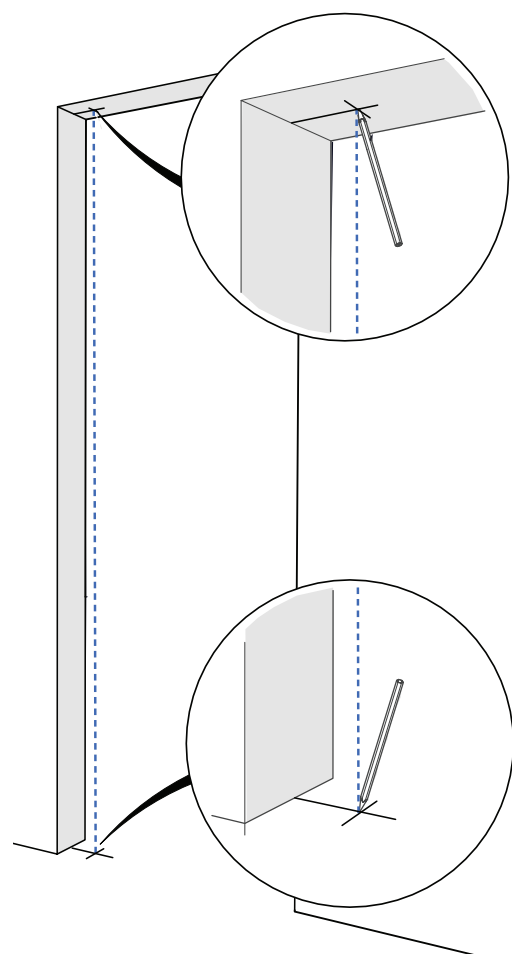


Floor plate square, one floor type

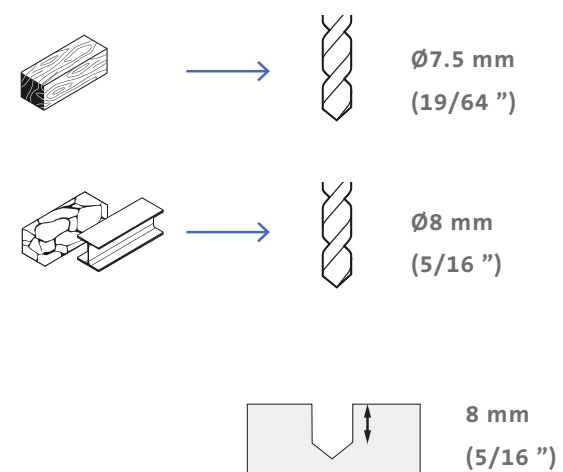


Floor plate round, one or two floor types

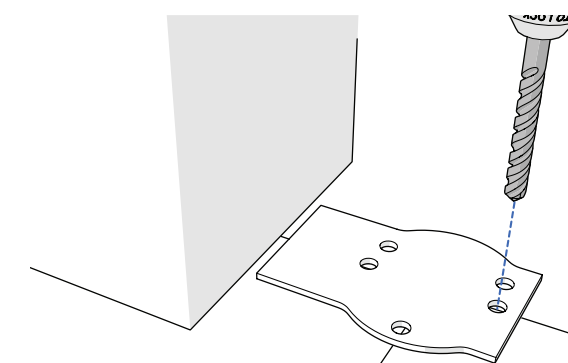
**2** Mark pivot point **A** on the floor and on the ceiling.



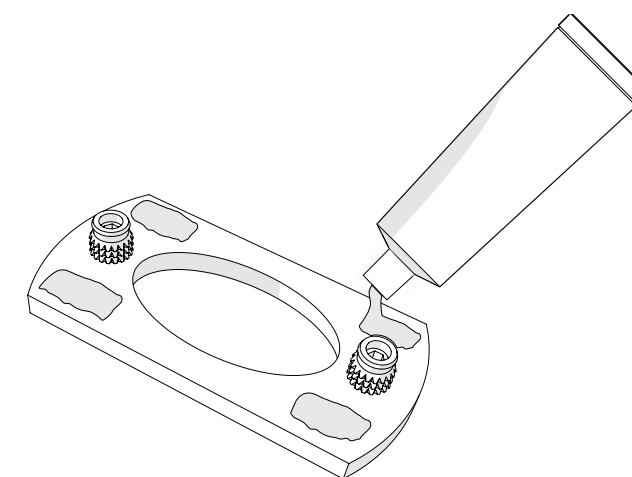
**4** Select the correct drill bit for the floor and determine the drilling depth.



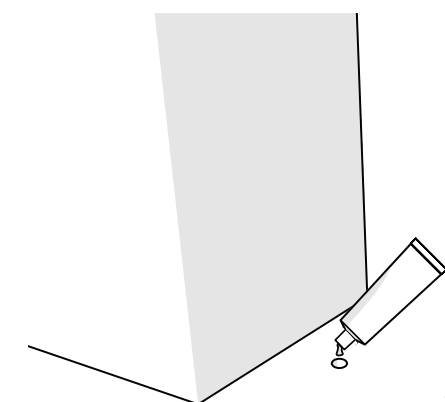
**5** Drill the holes in the floor on the marked spots.



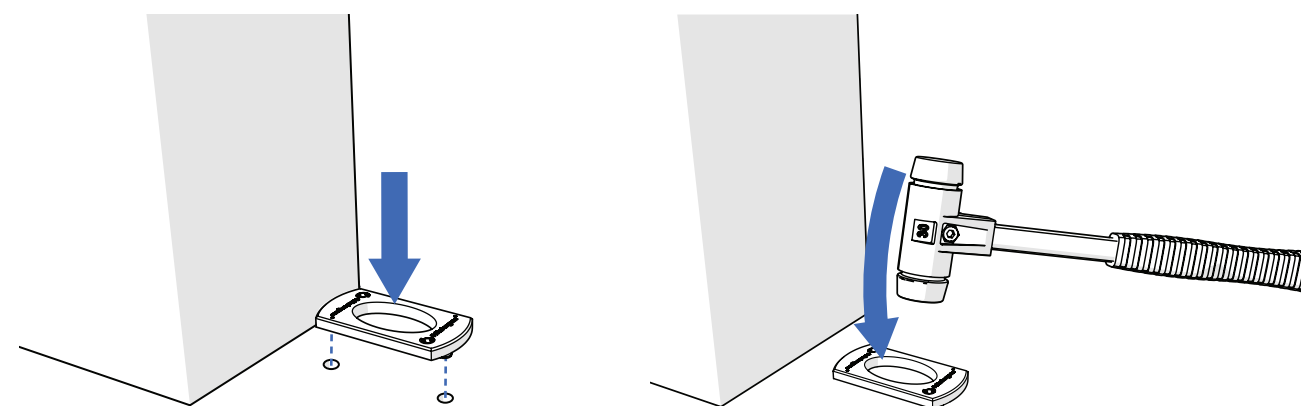
**6** Apply a 1 mm thick layer of glue to the floor plate. Make sure the glue does not overflow when you affix the floor plate.



**7** Add glue in the holes in the floor. Make sure the holes don't overflow when you place the floor plate.



**8** Use a rubber mallet to affix the floor plate.



CEILING PLATE

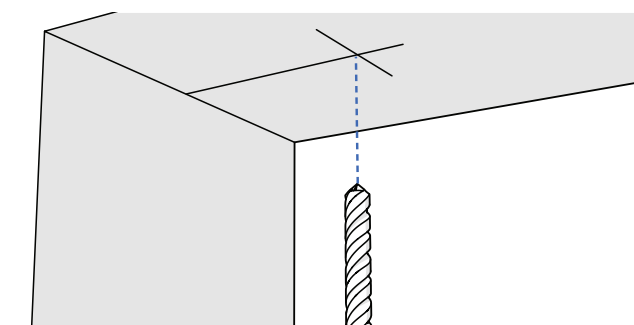
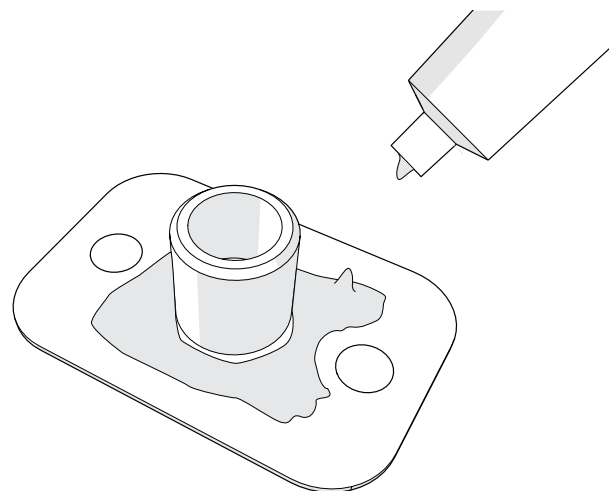
1 Drill a hole for the ceiling plate.

ceiling plate 20 mm  $\varnothing$ 18 mm  
10 mm (25/32 ") (45/64 ")

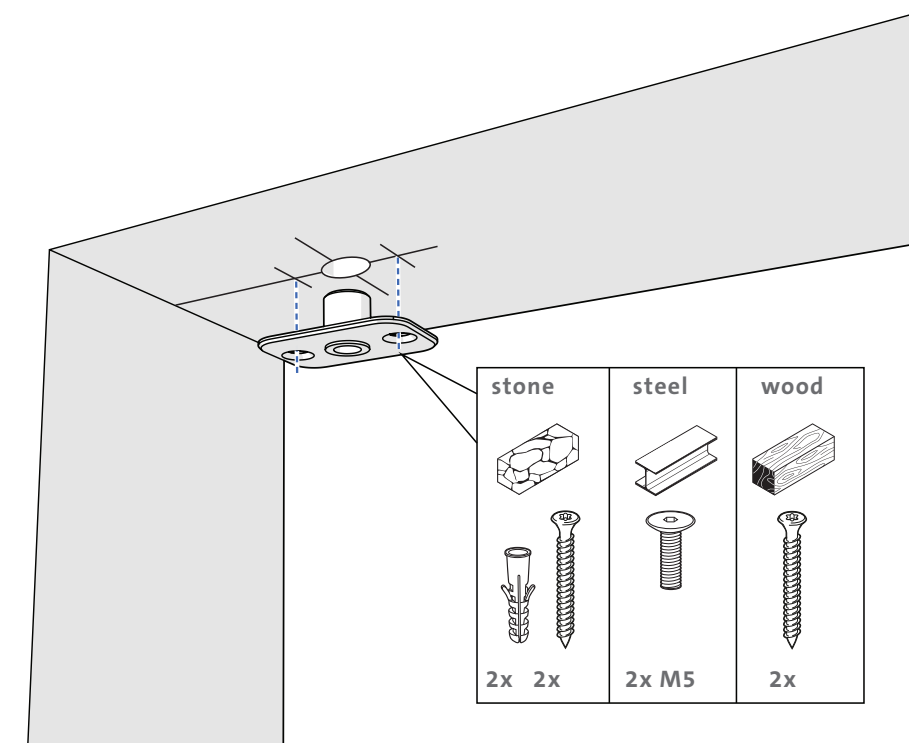
ceiling plate 20 mm  $\varnothing$ 20 mm  
15 mm (25/32 ") (25/32 ")

ceiling plate  $\varnothing$ 20 mm  
Cable (25/32 ")  
Grommet

2 Apply a 1 mm thick layer of glue to the ceiling plate.

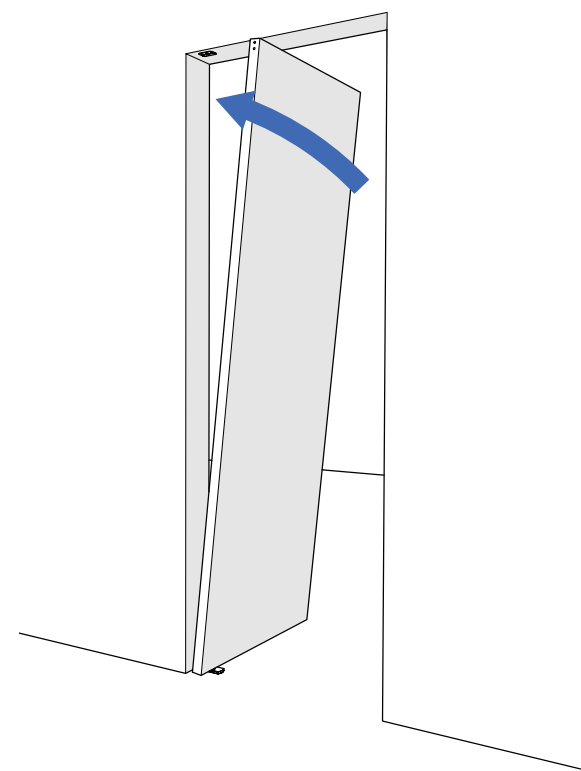


3 Affix the ceiling plate.

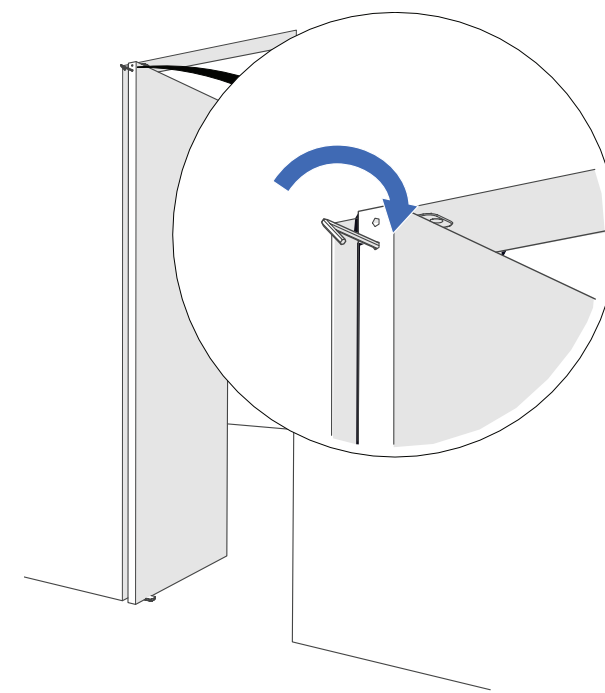


DOOR

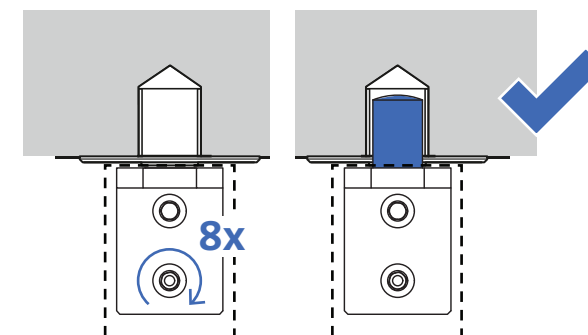
1 Position the door on the floor plate. Make sure the bottom cam is positioned in the elliptical hole in the floor plate. Align the door with the ceiling plate.



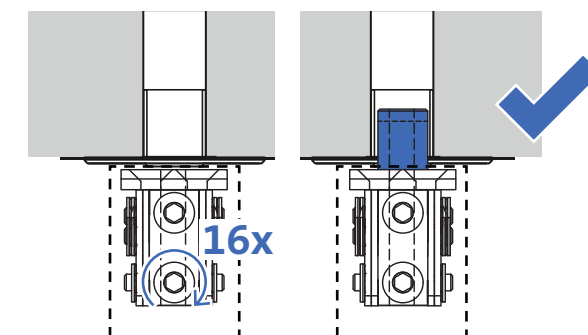
2 Extend the pivot with Allen key 5 or use the Hexagon Guide (page 8, item 6.2).



Top pivot 70 mm → Turn the key 8 times.



Top pivot Cable Grommet → Turn the key 16 times.



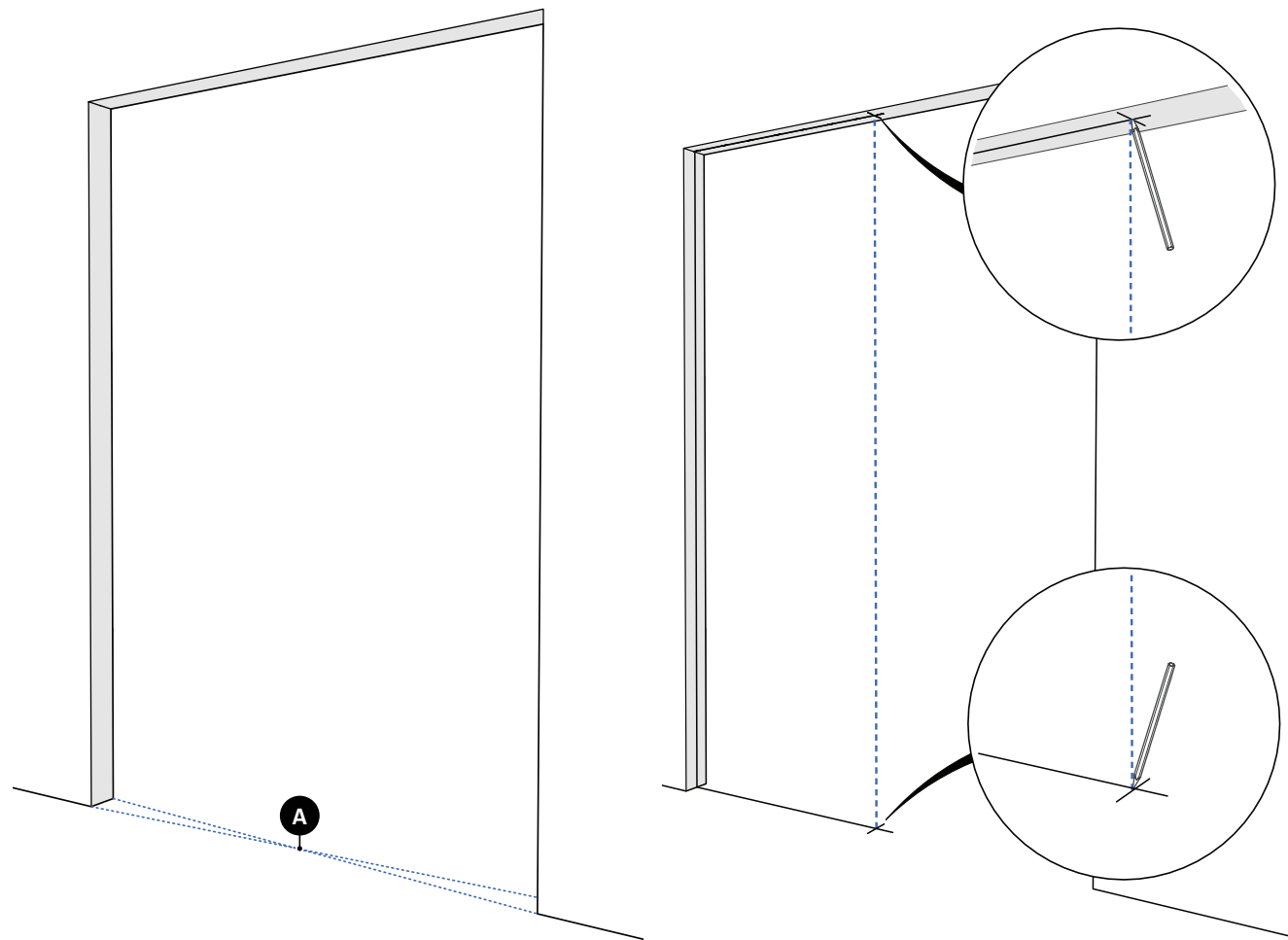
→ continue on page 20



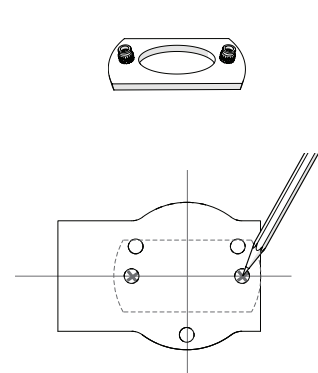
FLOOR PLATE

1 Determine the position of pivot point **A** in the middle of the door frame on the floor.

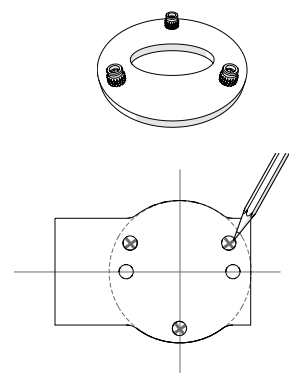
2 Mark pivot point **A** on the floor and on the ceiling.



3 Mark the drilling holes on the floor. Use the fitting template.

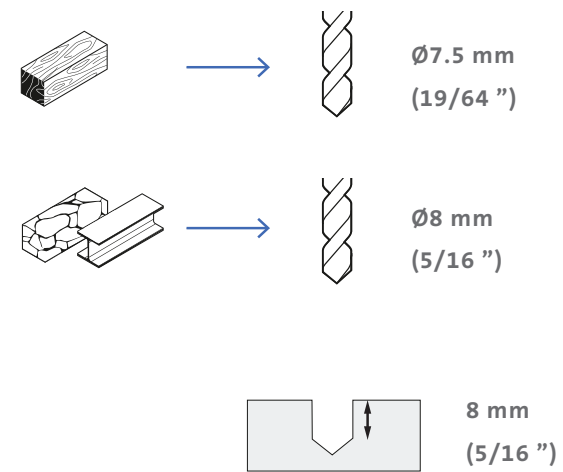


Floor plate square, one floor type

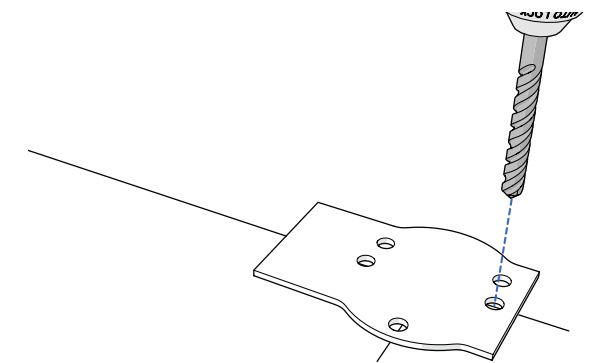


Floor plate round, one or two floor types

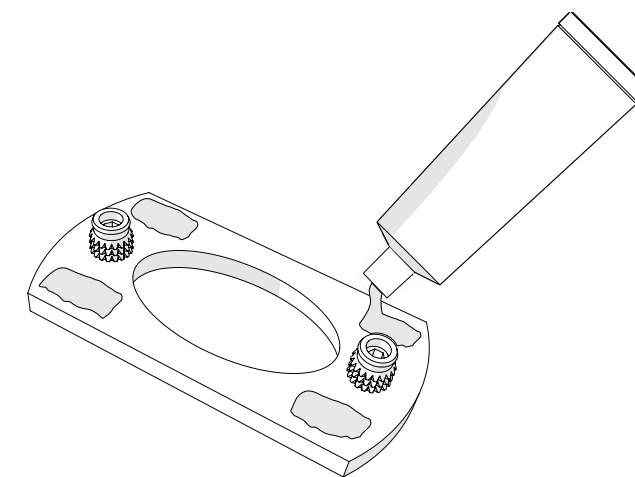
4 Select the correct drill bit for the floor and determine the drilling depth.



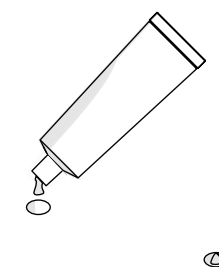
5 Drill the holes in the floor on the marked spots.



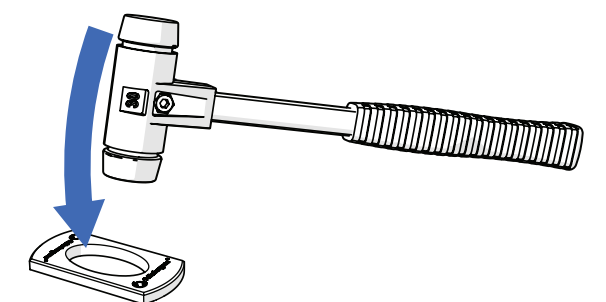
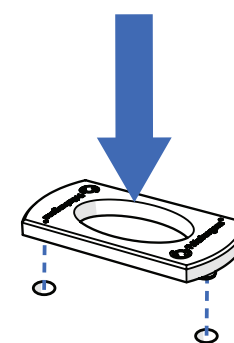
6 Apply a 1 mm thick layer of glue to the floor plate. Make sure the glue does not overflow when you affix the floor plate.



7 Add glue in the holes in the floor. Make sure the holes don't overflow when you place the floor plate.



8 Use a rubber mallet to affix the floor plate.



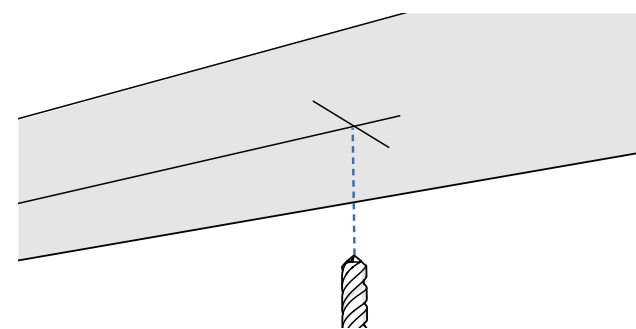
CEILING PLATE

1 Drill a hole for the ceiling plate.

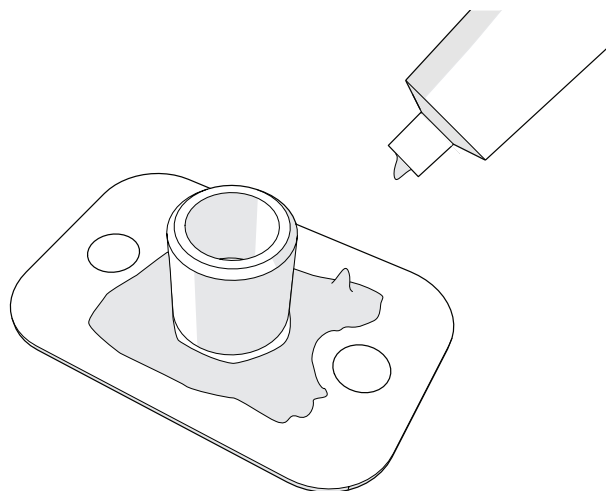
ceiling plate 20 mm  $\varnothing$ 18 mm  
10 mm (25/32 ") (45/64 ")

ceiling plate 20 mm  $\varnothing$ 20 mm  
15 mm (25/32 ") (25/32 ")

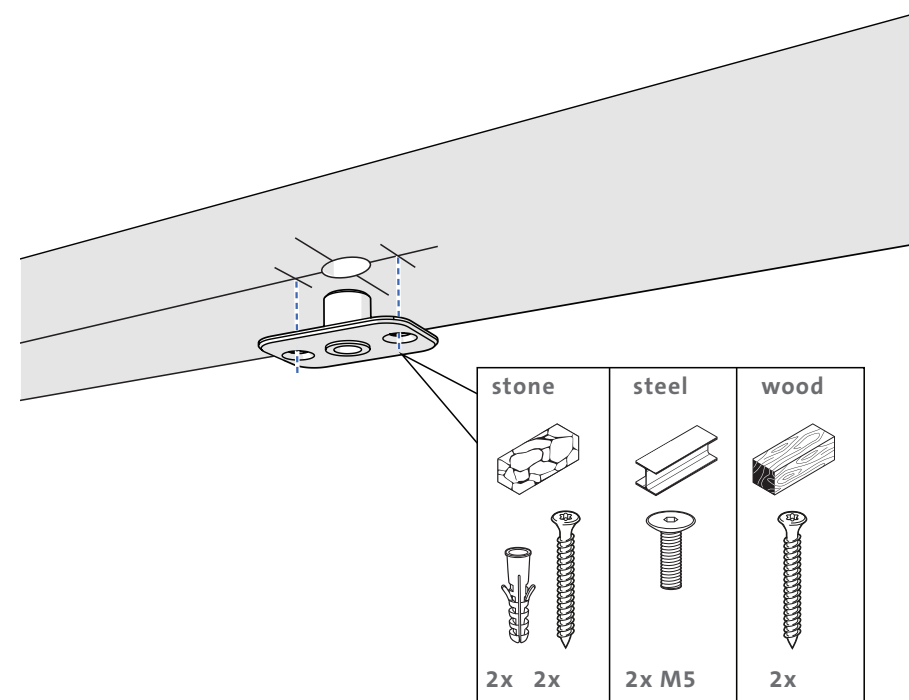
ceiling plate  $\varnothing$ 20 mm  
Cable (25/32 ")  
Grommet



2 Apply a 1 mm thick layer of glue to the ceiling plate.

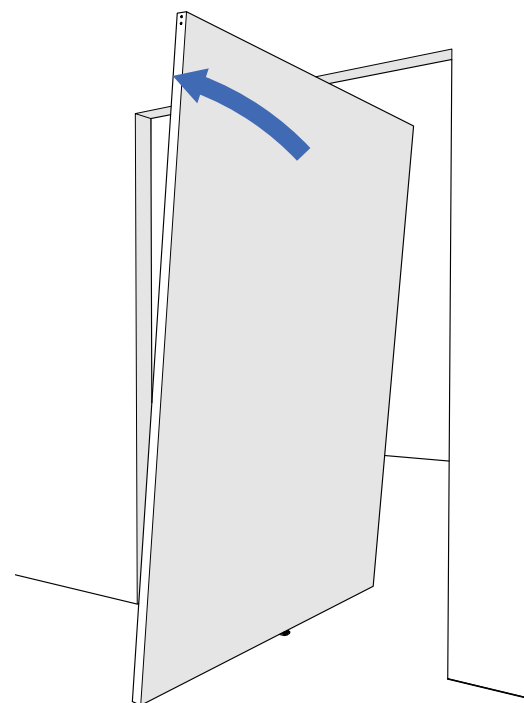


3 Affix the ceiling plate.

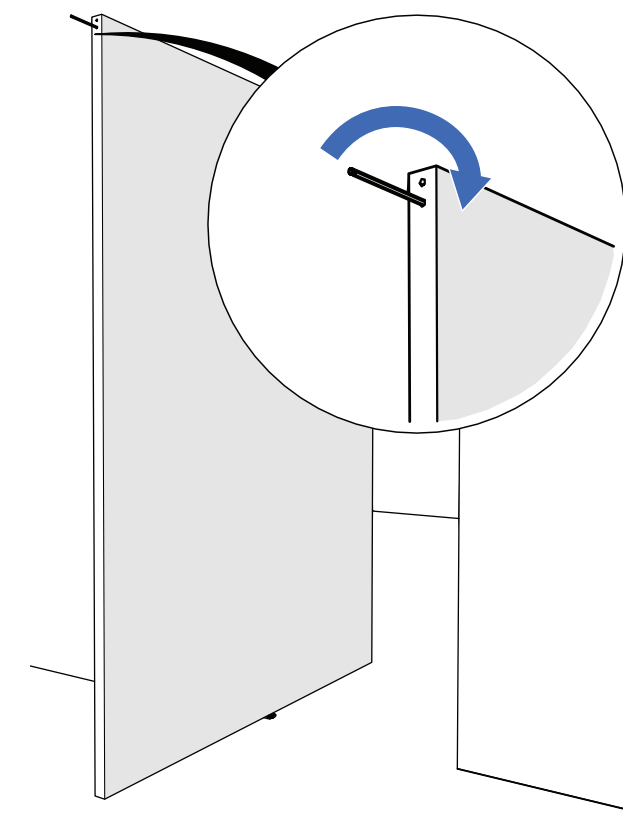


DOOR

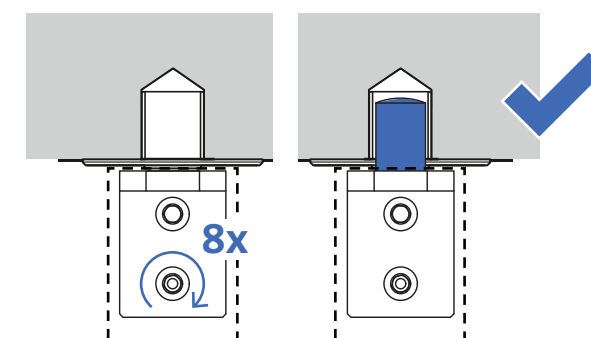
1 Position the door on the floor plate. Make sure the bottom cam is positioned in the elliptical hole in the floor plate. Align the door with the ceiling plate.



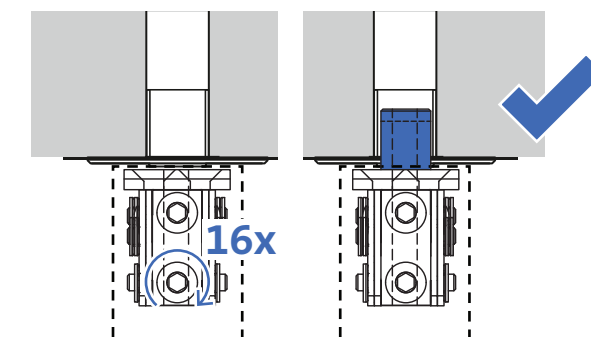
2 Extend the pivot with the Hexagon Guide (page 8, item 6.2).



Top pivot 70 mm → Turn the key 8 times.

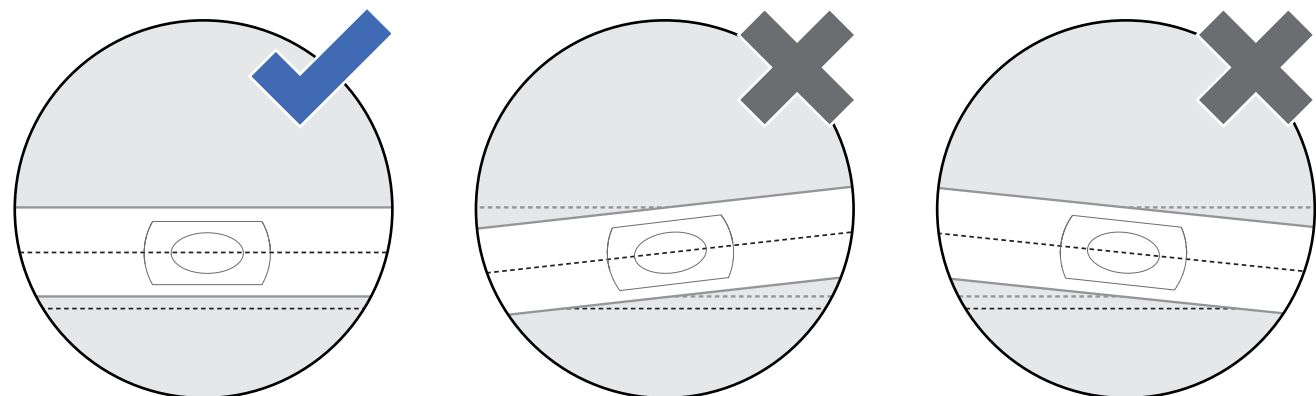


Top pivot Cable Grommet → Turn the key 16 times.

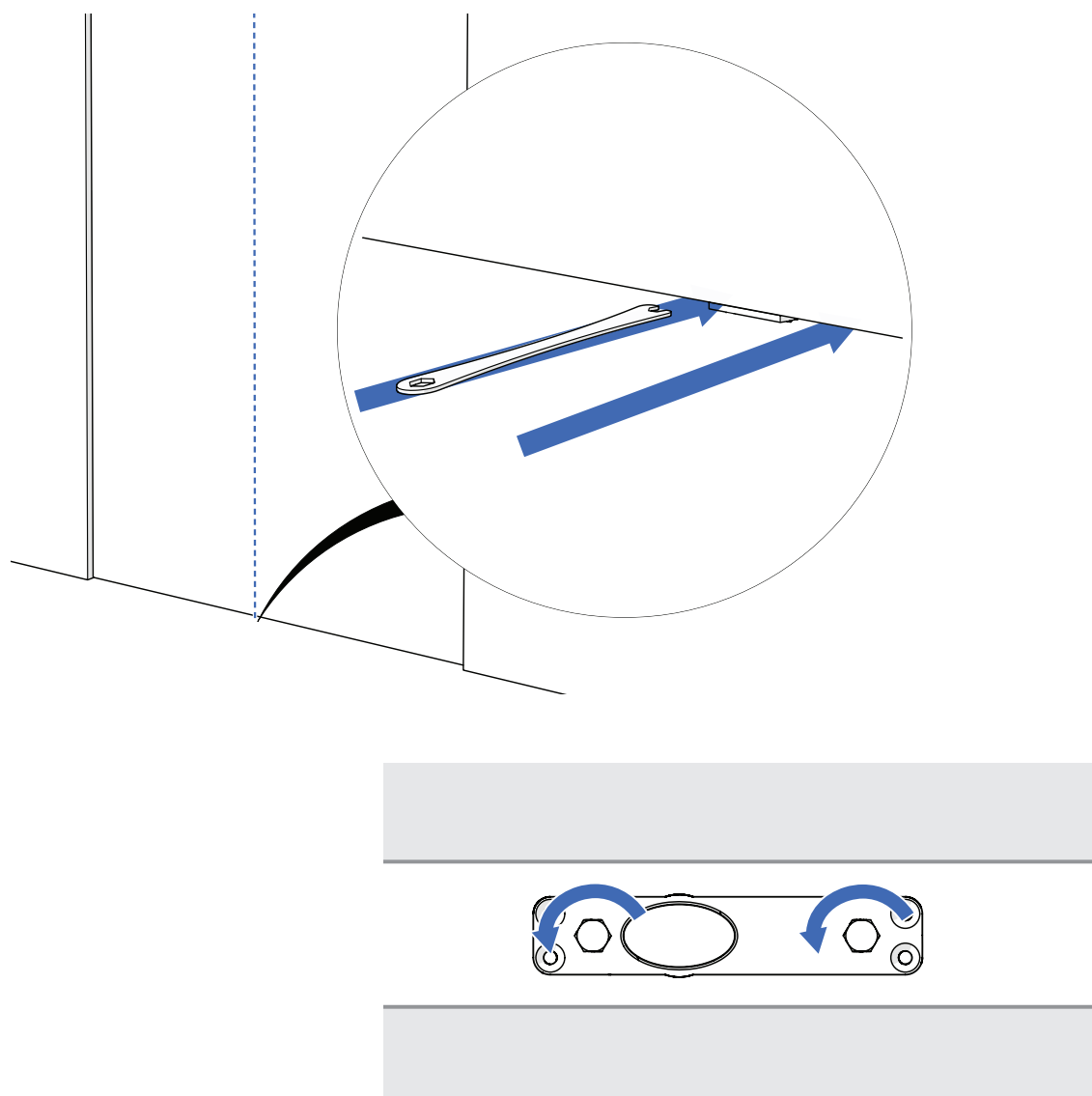


FINE-TUNING RADIAL POSITION

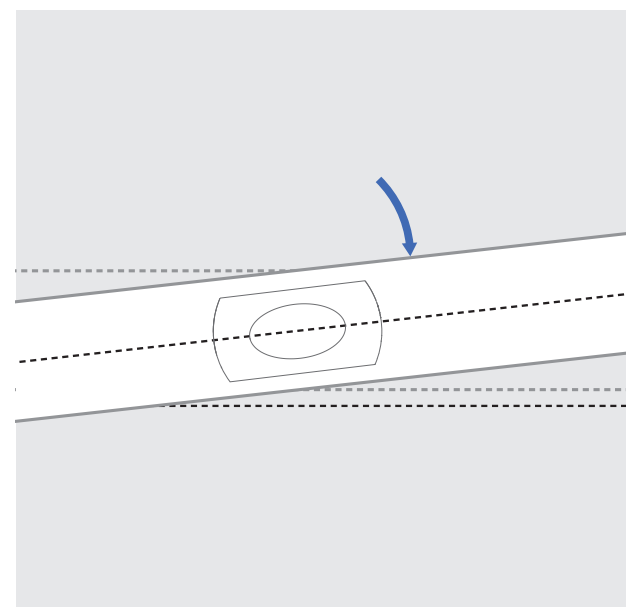
1 Check the radial alignment of the door.



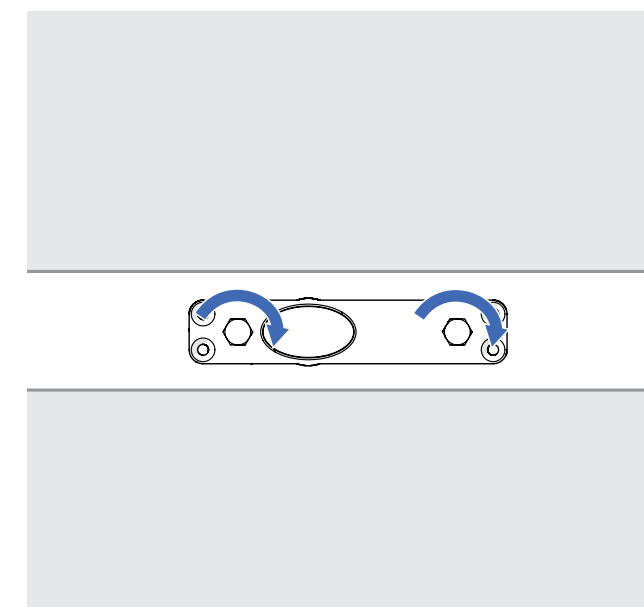
2 If the door is not properly aligned, unlock the two bolts on the bottom pivot with the adjustment spanner.



3 Rotate the door until it is aligned parallel to the wall.



4 Lock the two bolts on the bottom pivot.

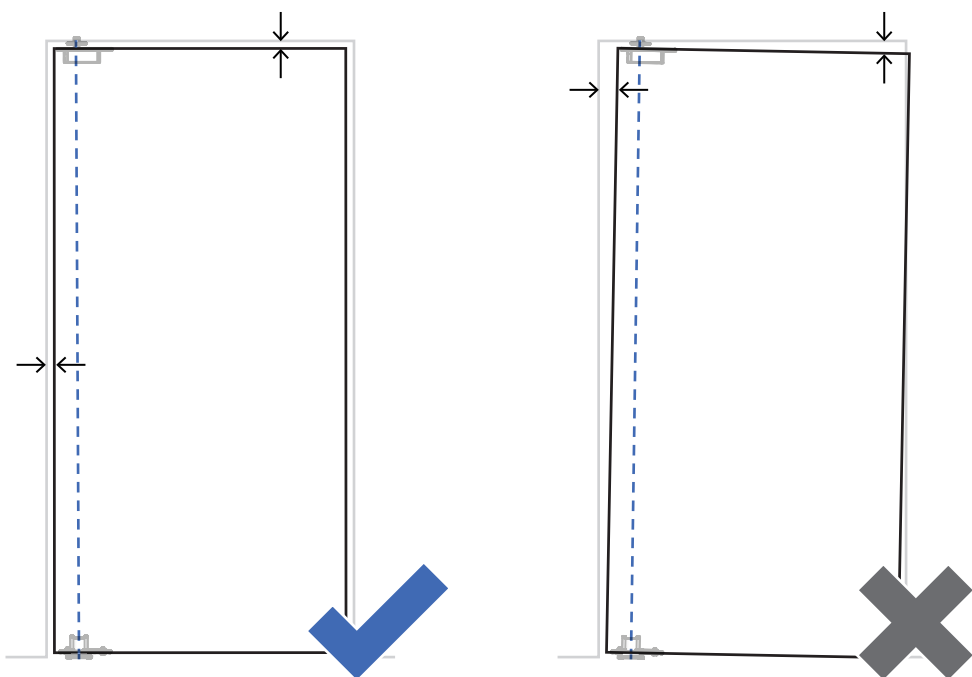


## SIDE PLACEMENT AND MIDDLE PLACEMENT

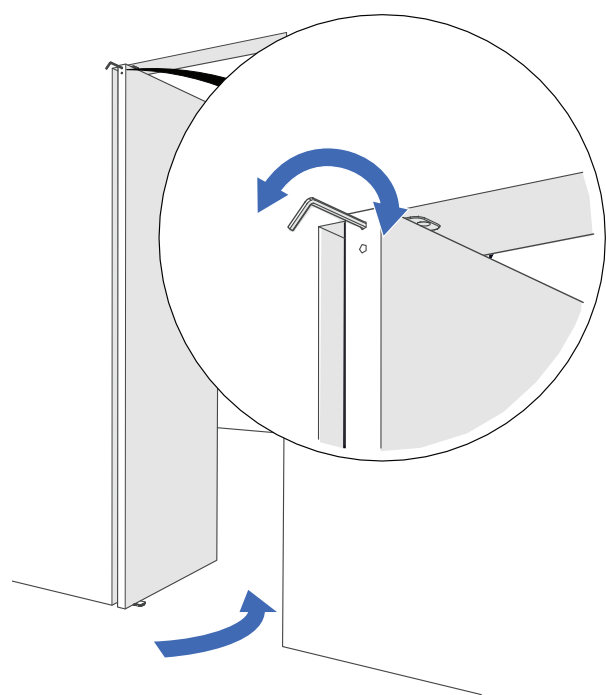
---

### FINE-TUNING THE CLOSING SEAM

- 1 Check if the door is aligned parallel to the ceiling and the wall.



- 2 Open the door. Use Allen key 5 or the hexagon (page 12, item 6.2) until the door is aligned parallel to the ceiling and the wall.



# FritsJurgens®

## FRITSJURGENS INTERNATIONAL

A. Einsteinlaan 1  
9615 TE Kolham  
The Netherlands  
+31 598 343 410  
info@fritsjurgens.com

## FRITSJURGENS ITALIA (COMMERCIAL OFFICE)

Via Marsilio Ficino 22  
50132 Firenze  
Italy  
+39 055 064 0290  
info@fritsjurgens.com

## FRITSJURGENS CHINA (COMMERCIAL OFFICE)

上海市长寿路360号源达大厦1508室  
360 Changshou Road, Room 1508, Shanghai  
China  
+86 138 1692 5021  
info@fritsjurgens.com

FJ.IN.S13.EN.2022

copyright © FritsJurgens®

01-01-2022



8 720681 618821 >