



# FritsJurgens<sup>®</sup>

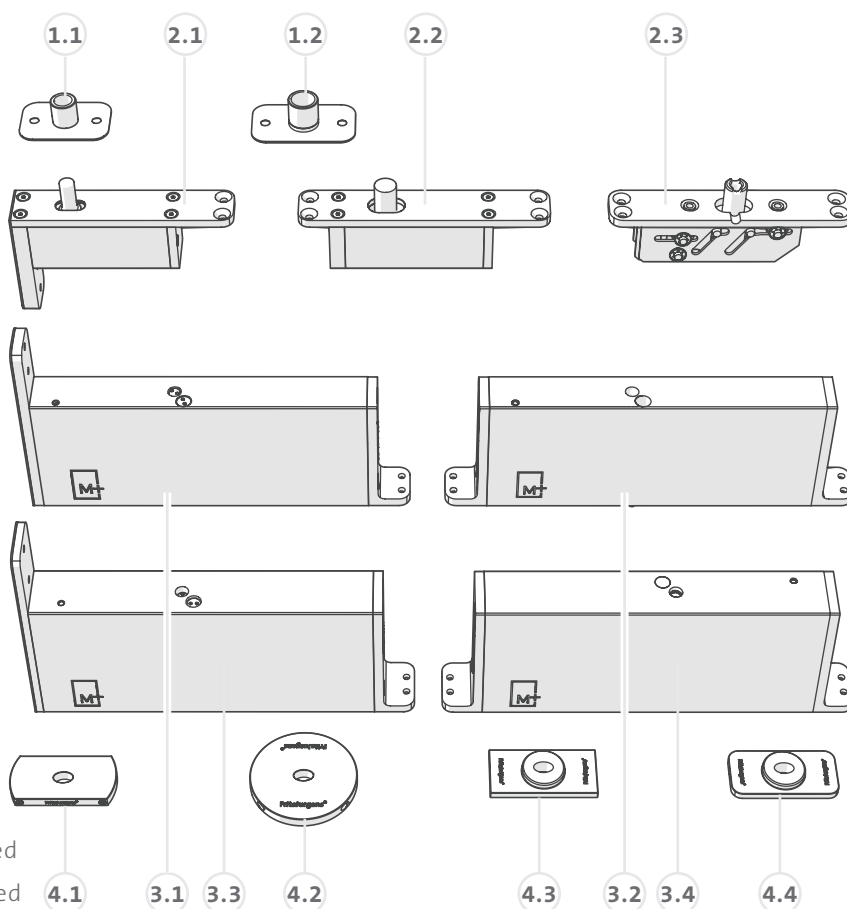
SYSTEM M/M+

MILLING AND MOUNTING MANUAL

# BOX CONTENTS

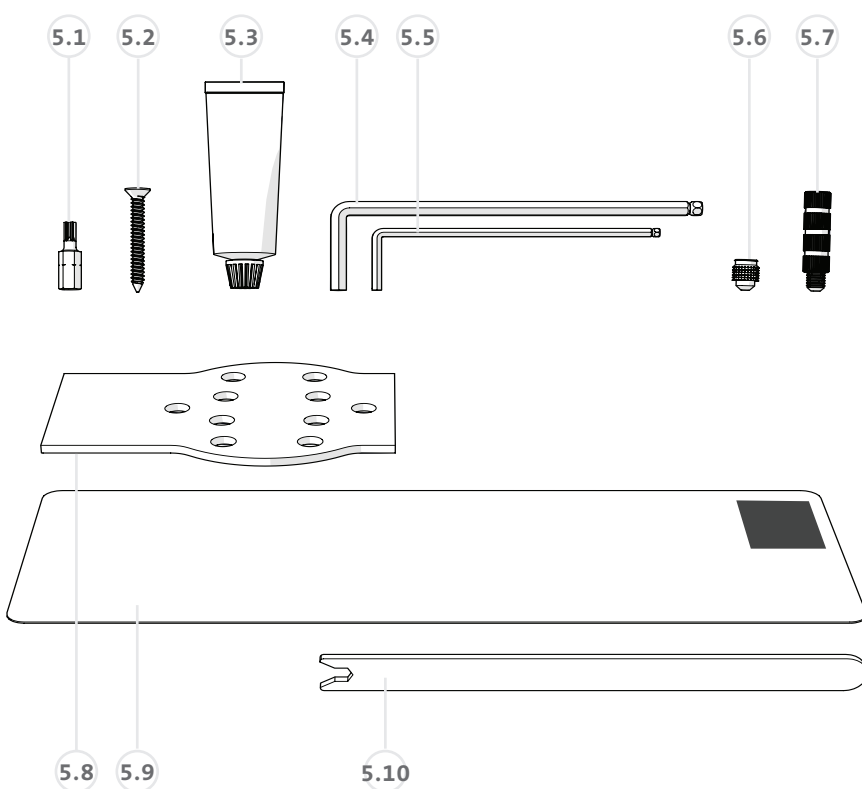
## COMPONENTS

- 1.1 Ceiling plate - Class B
- 1.2 Ceiling plate - Class G
- 2.1 Top pivot 40 mm - Class B or G
- 2.2 Top pivot 70 mm - Class B or G
- 2.3 Top pivot Cable Grommet
- 3.1 Bottom pivot System M 40 mm - Class AA to C or Bottom pivot System M+ 40 mm - Class A to E
- 3.2 Bottom pivot System M 70 mm - Class AA to C or Bottom pivot System M+ 70 mm - Class A to E
- 3.3 Bottom pivot System M+ 40 mm - Class F and G
- 3.4 Bottom pivot System M+ 70 mm - Class F and G
- 4.1 Floor plate System M - Squared
- 4.2 Floor plate System M - Round
- 4.3 Floor plate System M - Flush squared
- 4.4 Floor plate System M - Flush rounded



## MILLING AND MOUNTING KIT

- 5.1 Torx bit TX20 (1x)
- 5.2 Screws (4x50) (10x)
- 5.3 Fitting adhesive
- 5.4 Allen key 5
- 5.5 Allen key 3
- 5.6 Mounting pins, short\* (2x)
- 5.7 Mounting pins, long\* (2x)
- 5.8 Fitting template
- 5.9 Double-sided fine-tuning sheet\*\*
- 5.10 Adjustment spanner

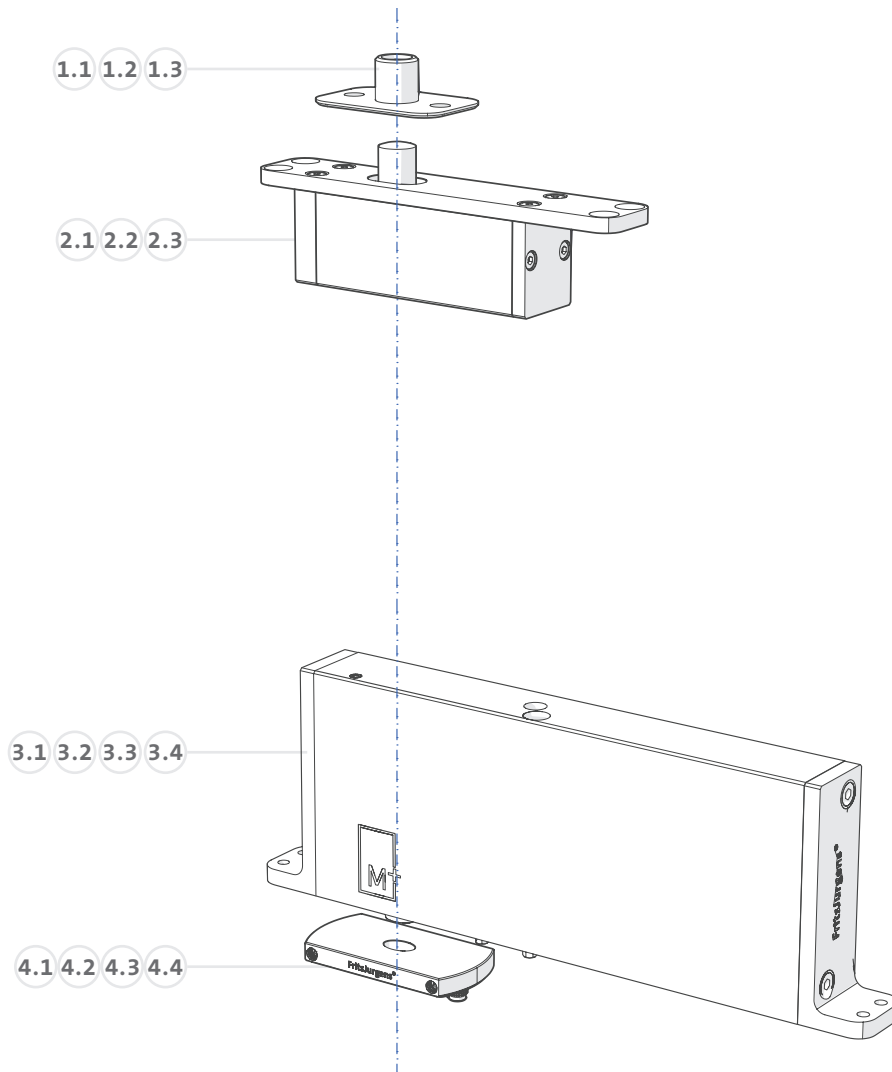


\* Only in box floor plate System M - Squared

\*\* Only for M+

# SYSTEM OVERVIEW

---



# MILLING INSTRUCTIONS

→ Determine pivot point **A**.

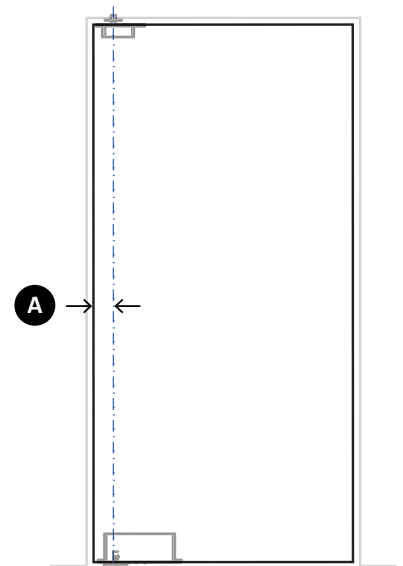
## System M+/M - Class AA to E

- **A** = 40 mm → page 4
- $70 \text{ mm} \leq \mathbf{A} < 250 \text{ mm}$  → page 6
- **A** > 250 mm → page 12

## System M+/M - Class F and G

- **A** = 40 mm → page 8
- $70 \text{ mm} \leq \mathbf{A} < 250 \text{ mm}$  → page 10
- **A** > 250 mm → page 12

Top pivot Cable Grommet → page 14



# MOUNTING INSTRUCTIONS

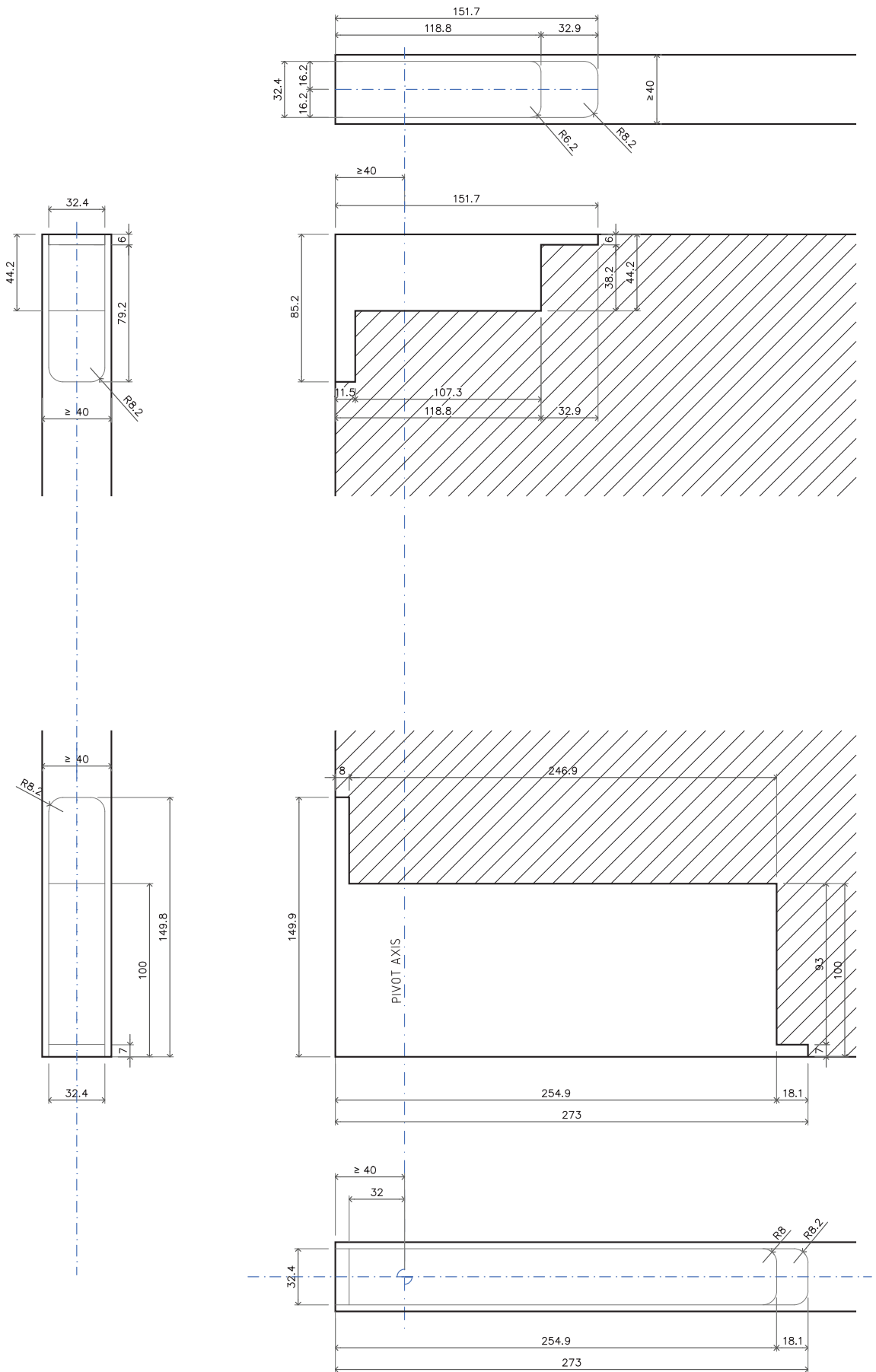
→ page 15

---

# MILLING

A = 40 MM

PREPARING THE DOOR

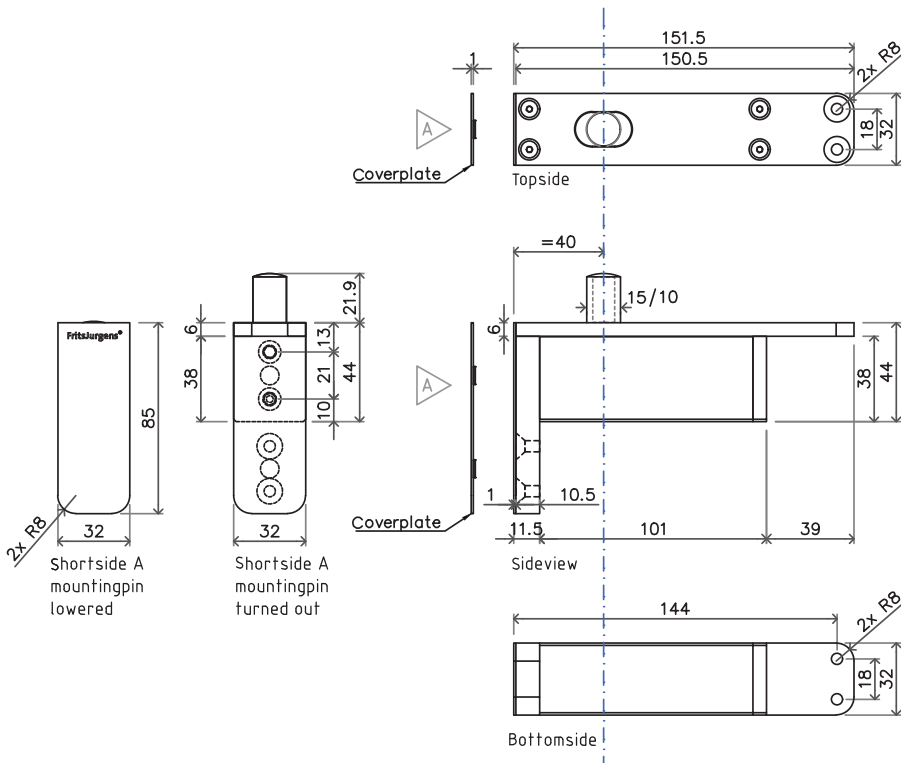


# SYSTEM M+/M 40 MM - CLASS AA TO E

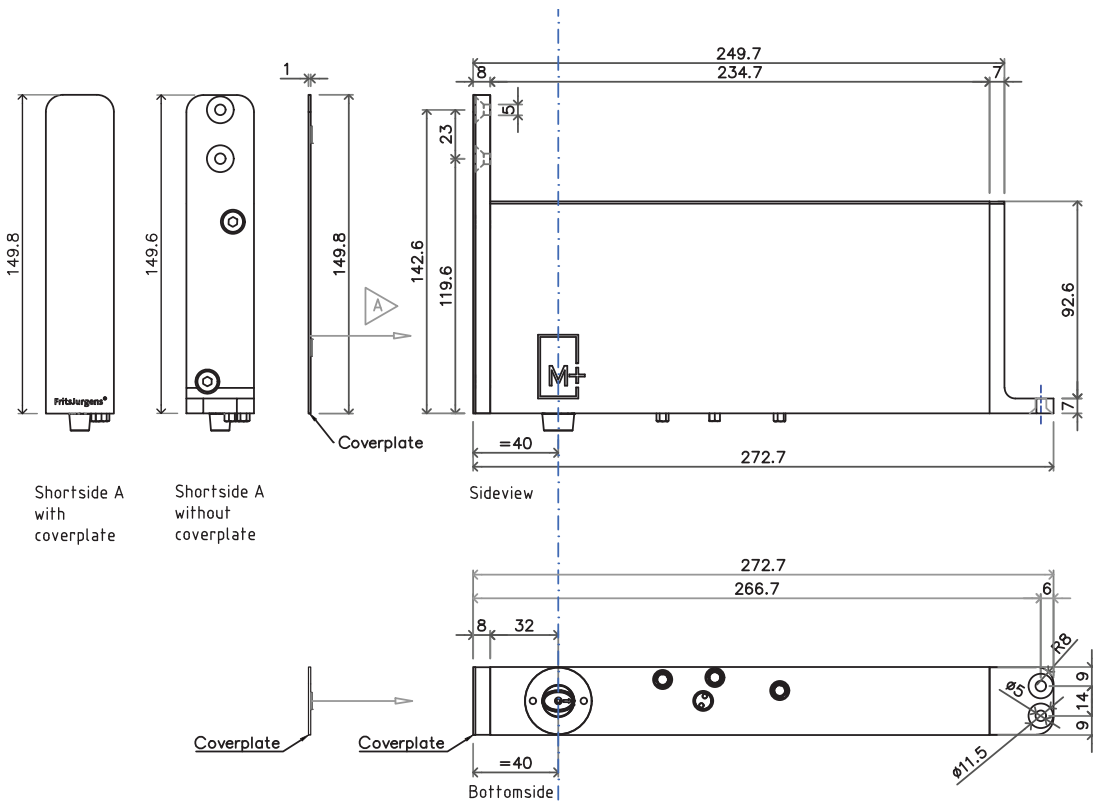
## COMPONENTS



[www.fritsjurgens.com/installation-tp40](http://www.fritsjurgens.com/installation-tp40)



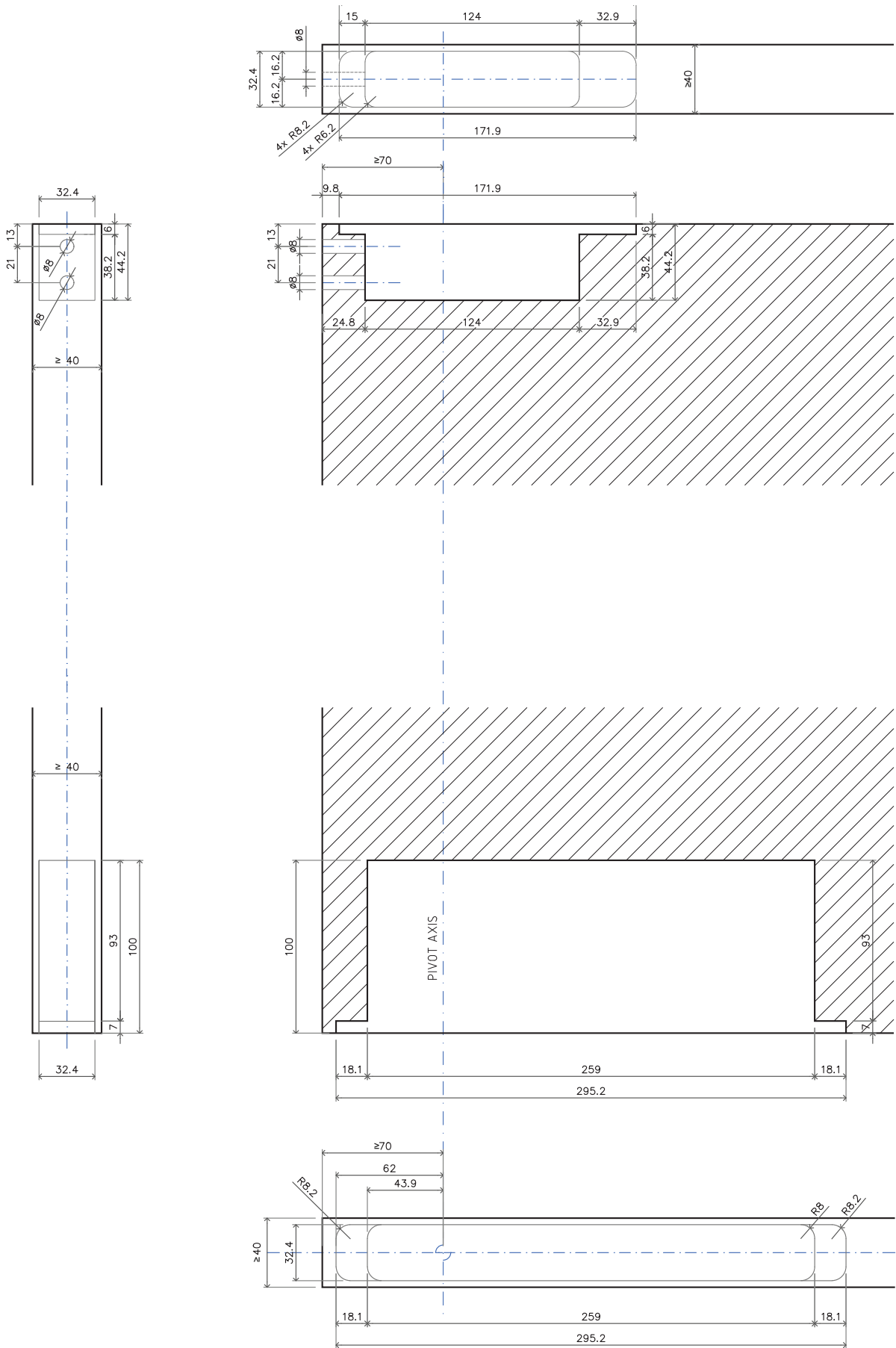
## Top pivot 40 mm - Class B or G



System M 40 mm  
System M+ 40 mm

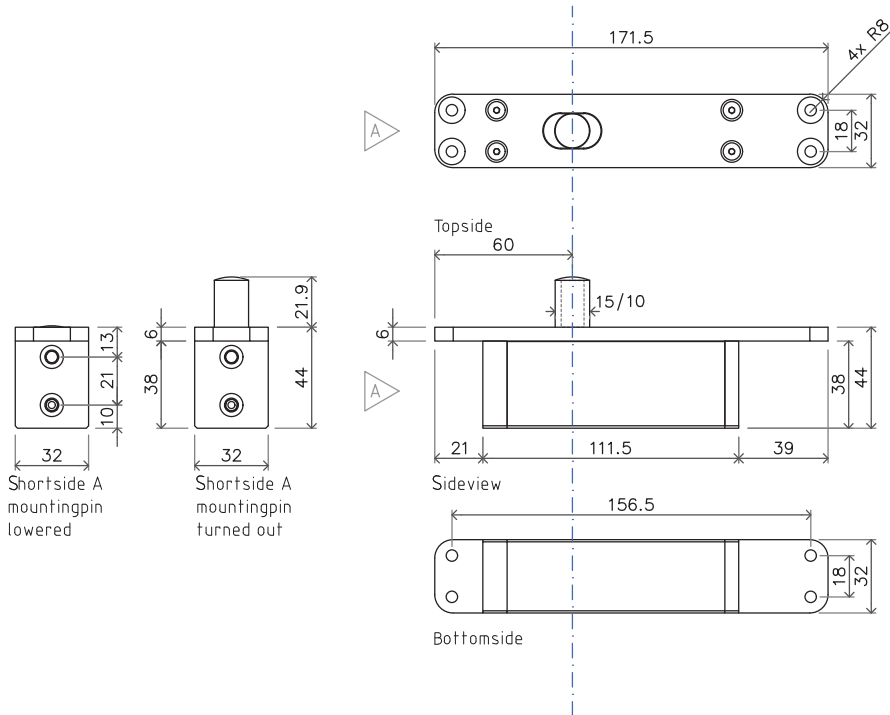
# MILLING

70MM ≤ A < 250 MM  
PREPARING THE DOOR



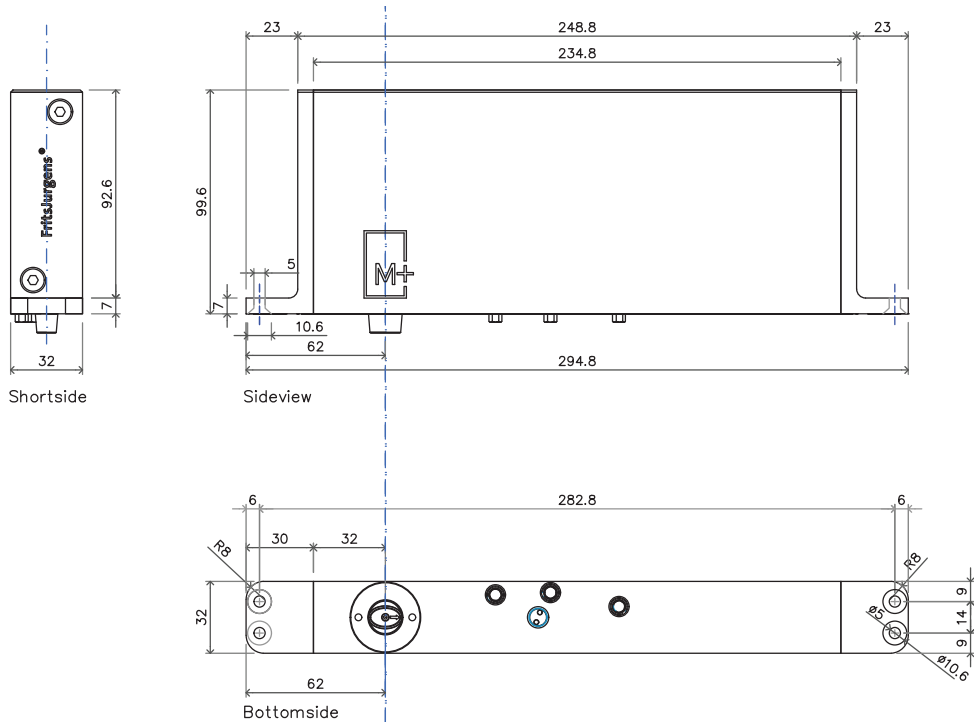
# SYSTEM M+/M 70 MM - CLASS AA TO E

## COMPONENTS



[www.fritsjurgens.com/installation-tp70](http://www.fritsjurgens.com/installation-tp70)

Top pivot 70 mm - Class B or G

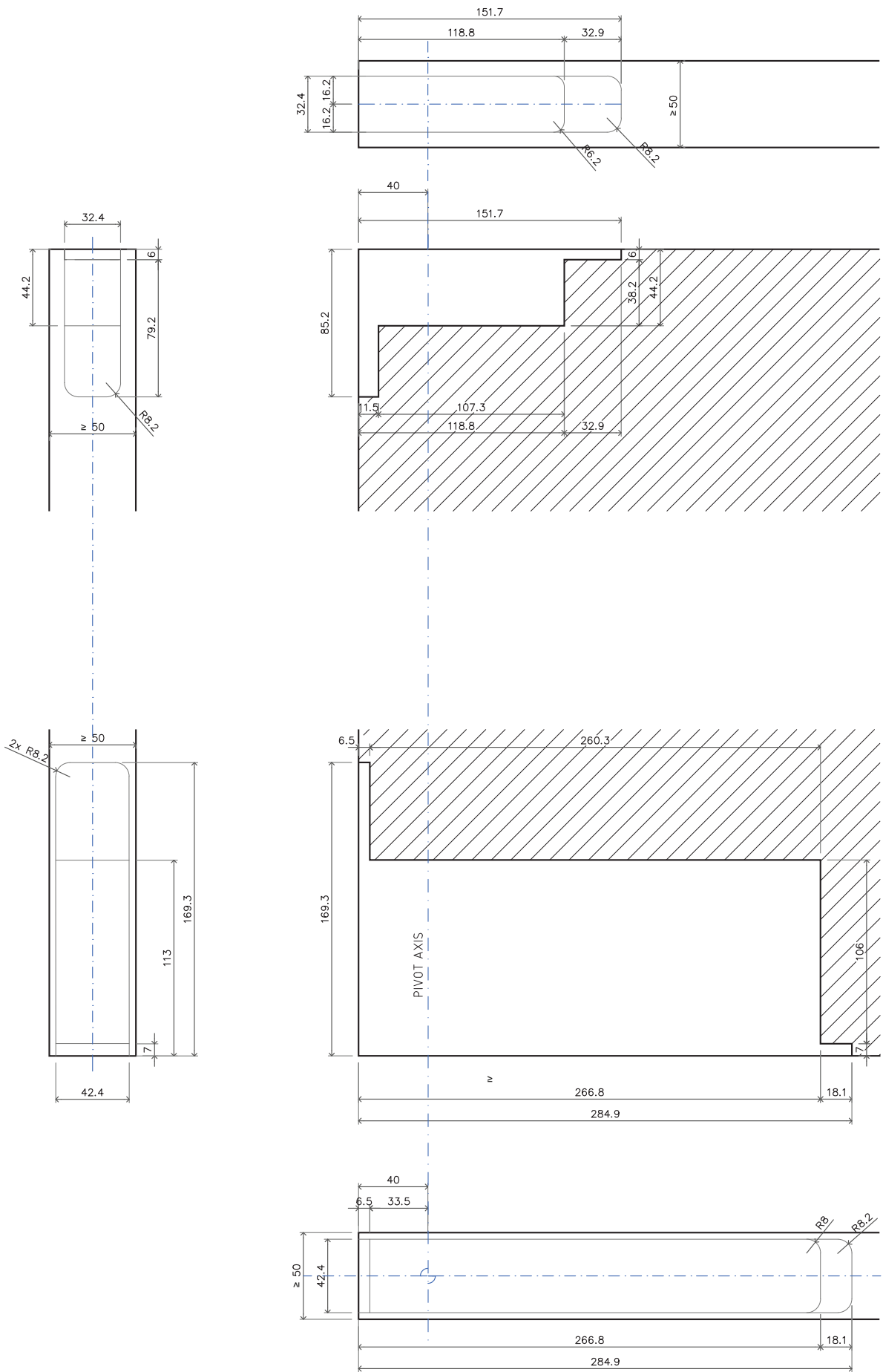


System M 70 mm  
System M+ 70 mm

# MILLING

A = 40 MM

PREPARING THE DOOR

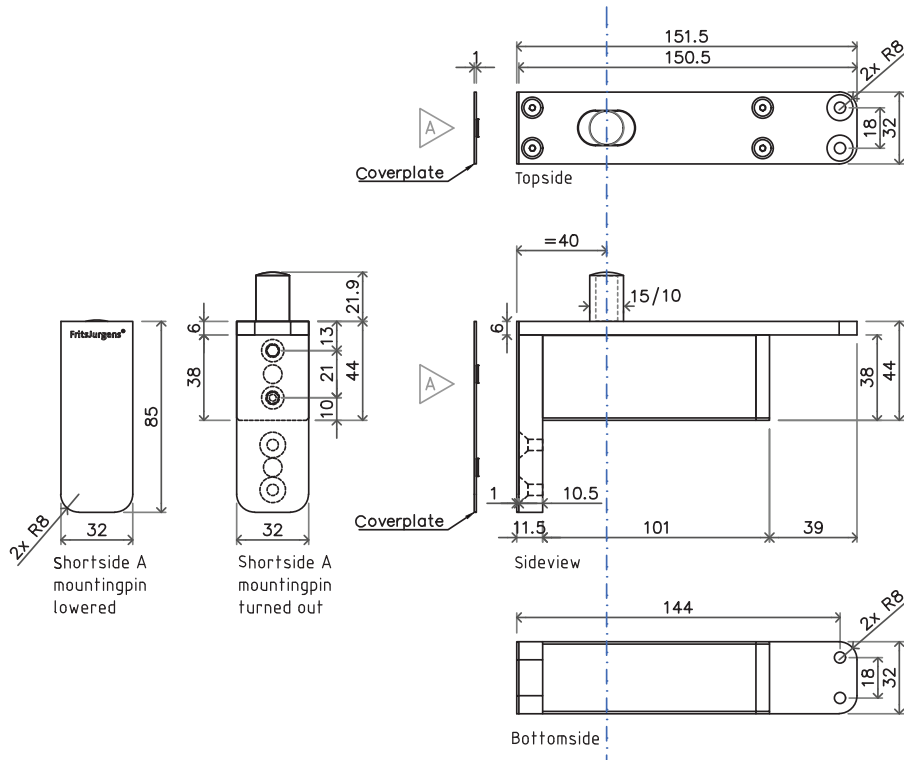




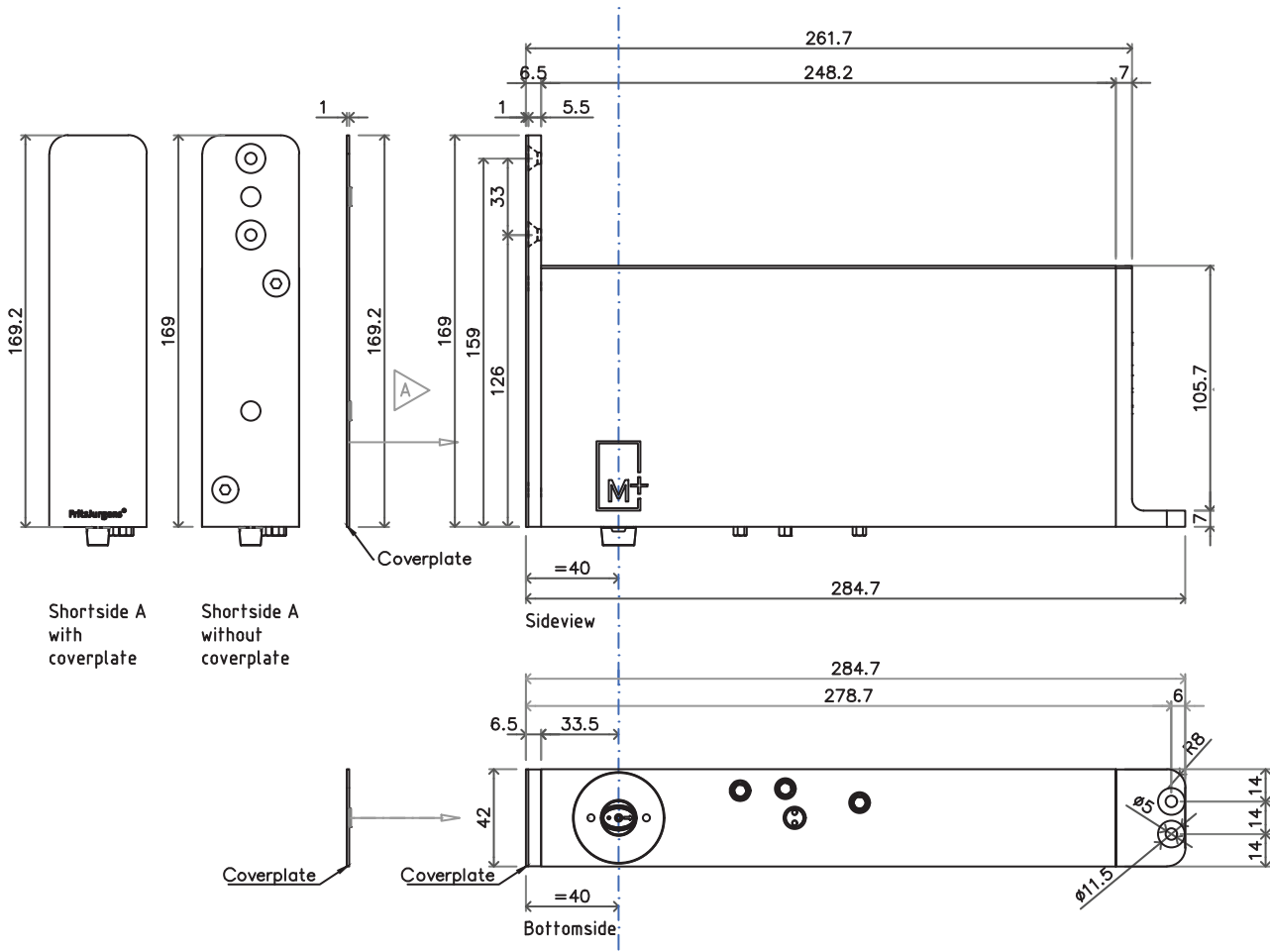
## COMPONENTS



[www.fritsjurgens.com/installation-tp40](http://www.fritsjurgens.com/installation-tp40)



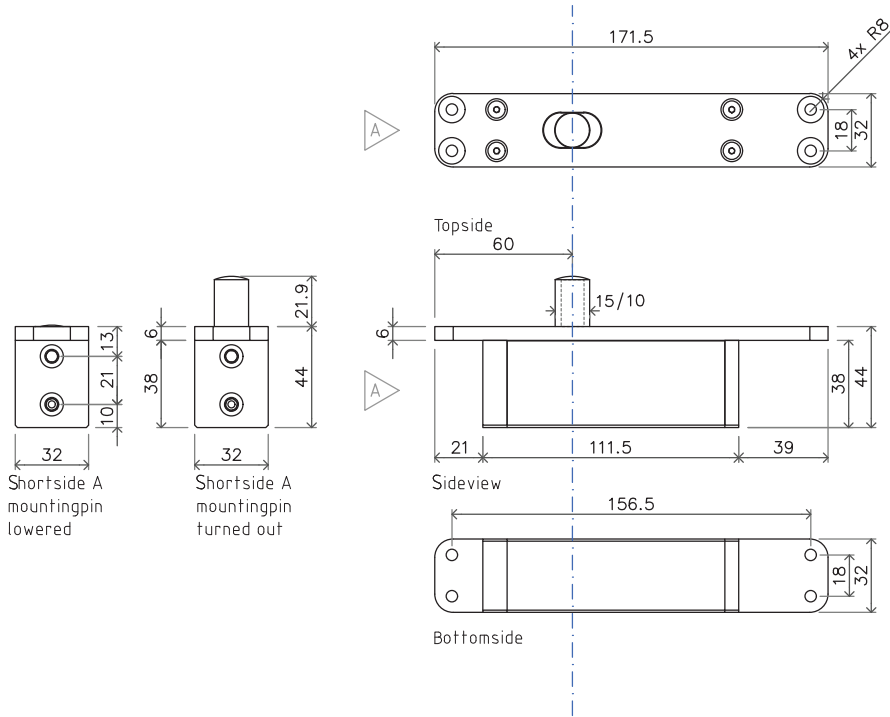
Top pivot 40 mm - Class B or G



System M+ 40 mm - Class F and G

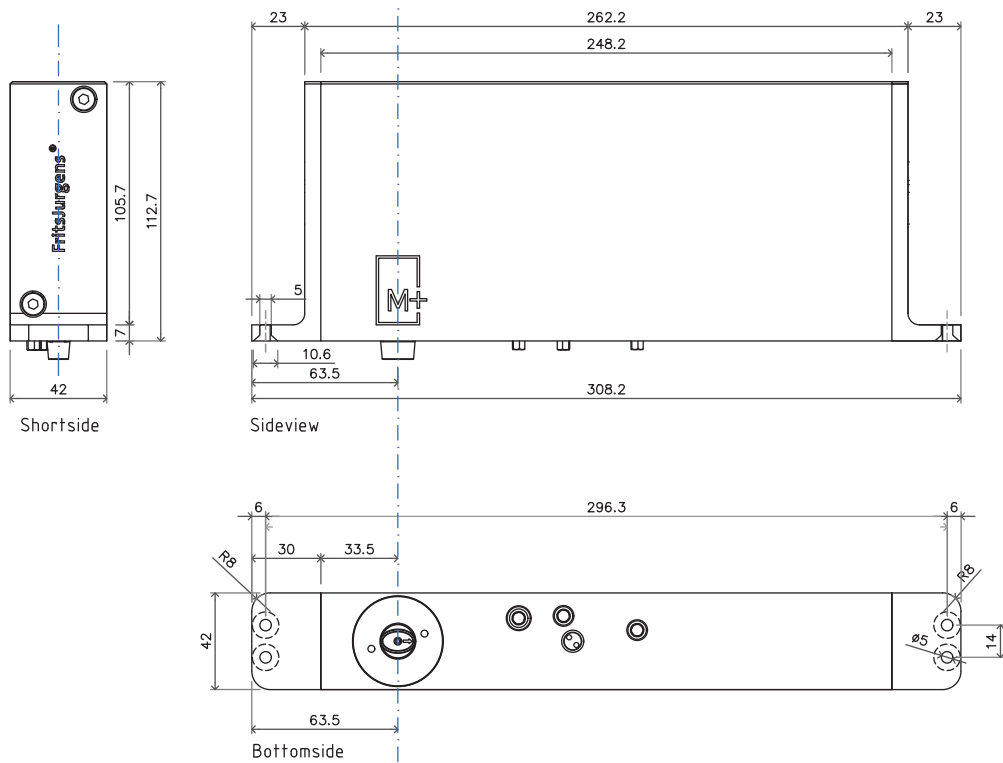


## COMPONENTS



[www.fritsjurgens.com/installation-tp70](http://www.fritsjurgens.com/installation-tp70)

Top pivot 70 mm - Class B or G

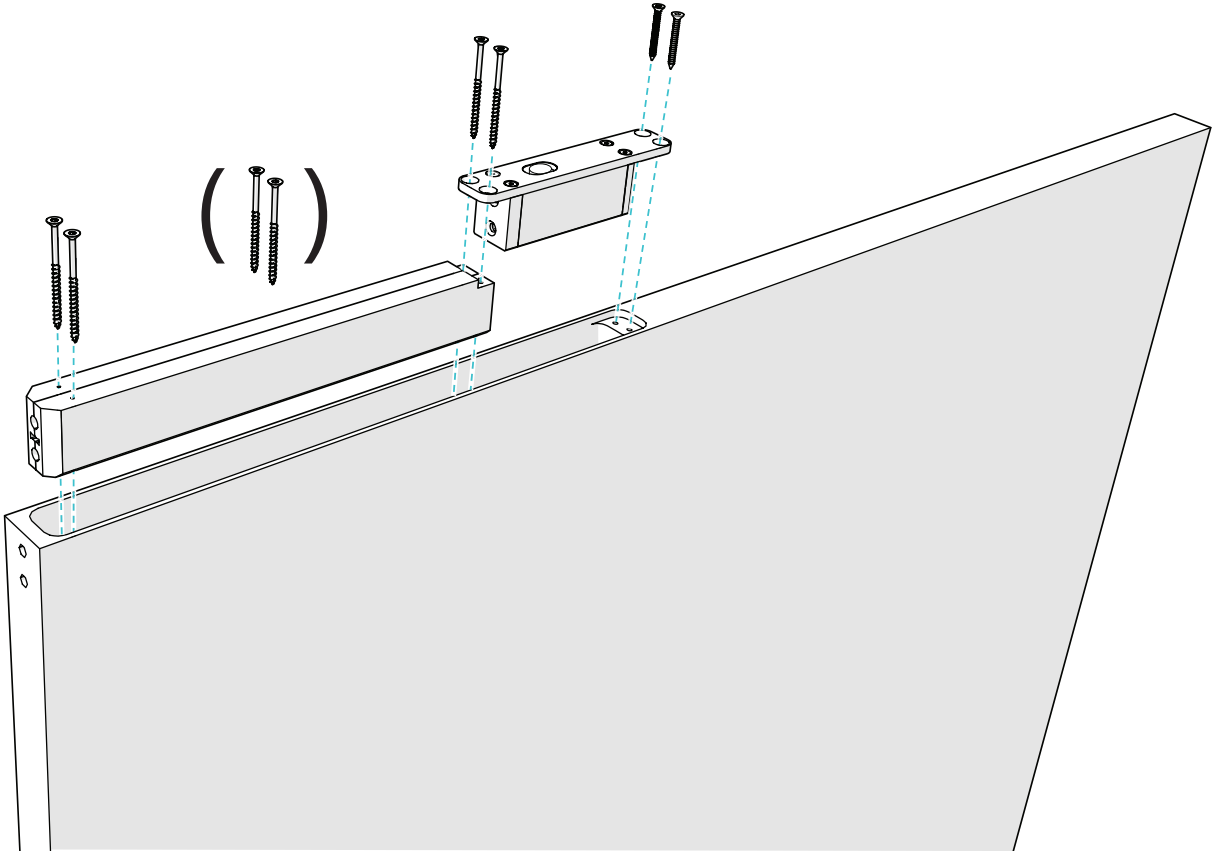


System M+ 70 mm - Class F and G



**4** Drill holes for the mounting screws\*. If you use the 1 m Hexagon Guide, two screws are enough. If you use the 2 m Hexagon Guide, use an extra pair.

**5** Mount the Hexagon Guide and the top pivot.

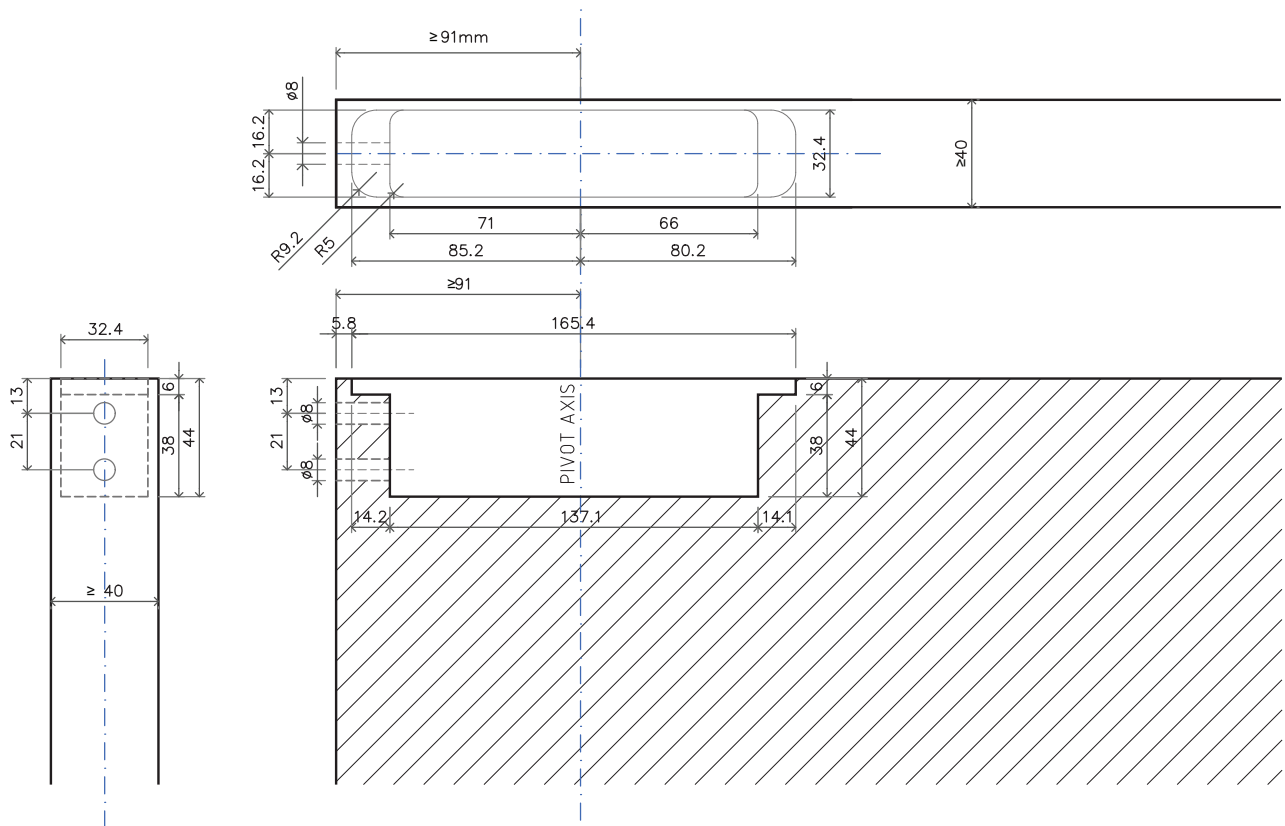


**System M+/M - Class AA to E** → continue on page **6**  
**System M+/M - Class F and G** → continue on page **10**

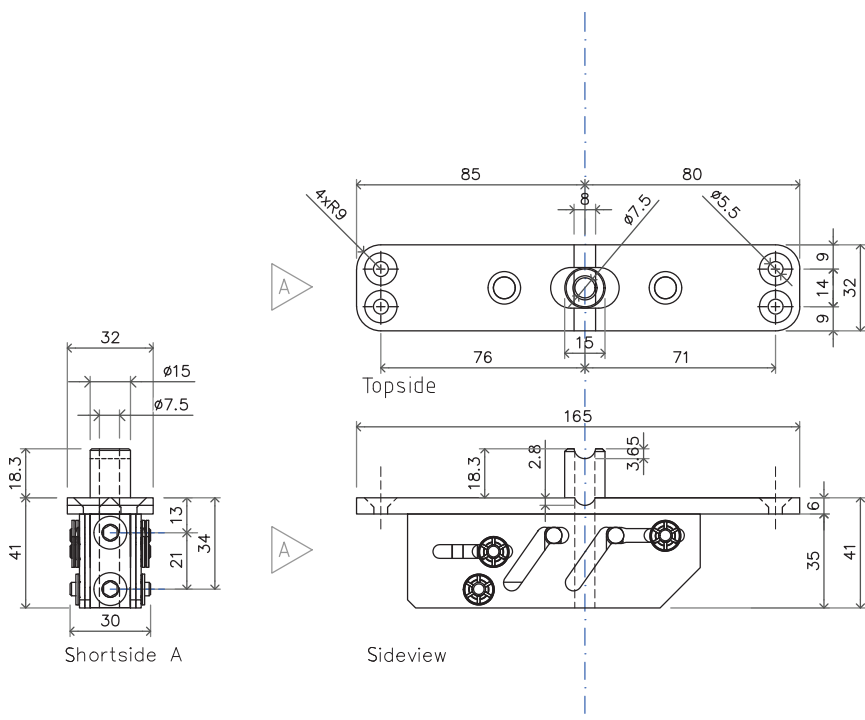
\* Alternatively, use glue (not included) to mount the Hexagon Guide.

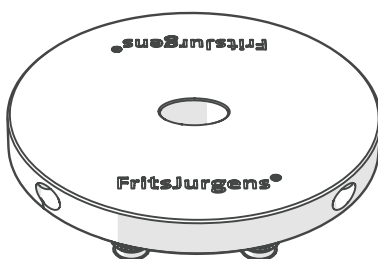
# MILLING

## TOP PIVOT CABLE GROMMET PREPARING THE DOOR

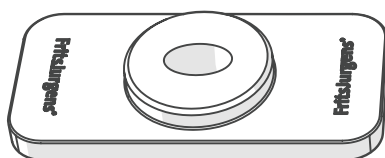


## COMPONENT

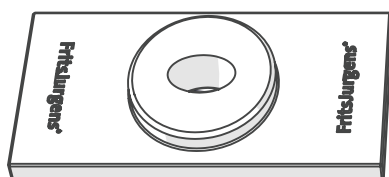




→ page 16



→ page 19



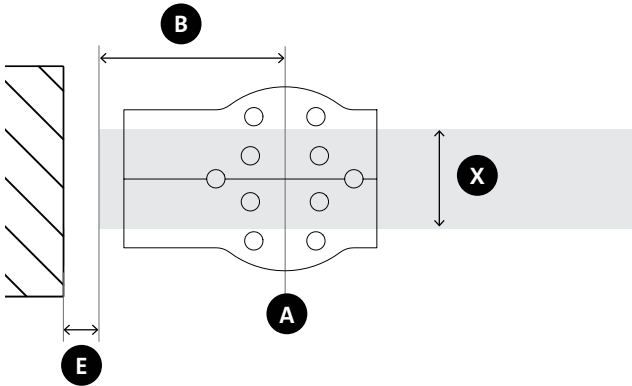
→ page 20

# MOUNTING

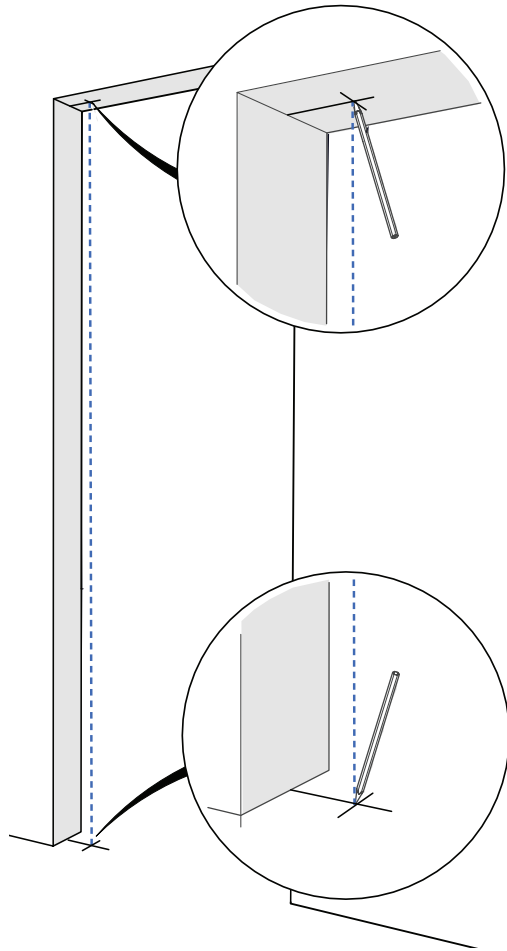
## FLOOR PLATE SQUARE, FLOOR PLATE ROUND

**1** Determine the position of pivot point **A** on the floor. Use the fitting template and the table below.

**2** Mark pivot point **A** on the floor and on the ceiling.

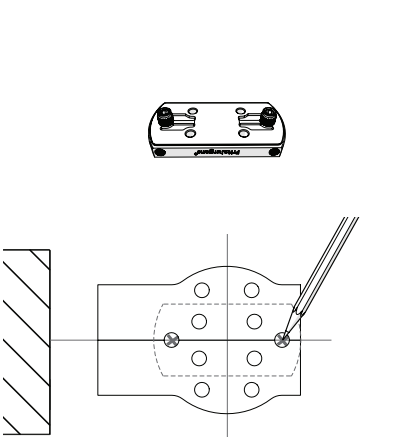


	40	50	60	70	80	90	100	X
B								
40	7	9	12	15	19	22	26	
70	5	6	10	10	13	15	18	
91	4	5	7	9	10	12	15	
250	3	3	4	4	5	6	7	
500	2	3	3	3	4	4	5	
1000	2	2	3	3	3	3	3	
1500	2	2	2	2	2	3	3	
2000	2	2	2	2	2	2	3	E

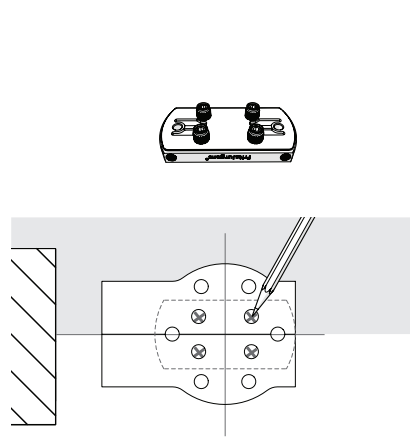


- E** Minimum gap between door and wall (mm)
- B** Distance pivot point to door edge (mm)
- X** Door thickness (mm)

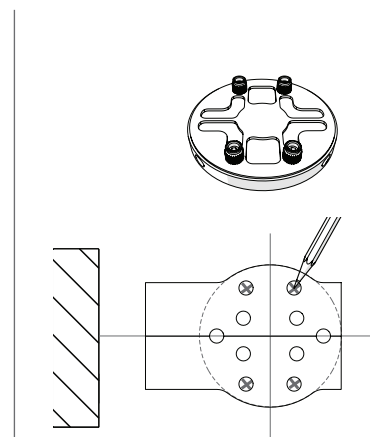
**3** Mark the drilling holes on the floor. Use the fitting template.



*Floor plate square, one floor type*



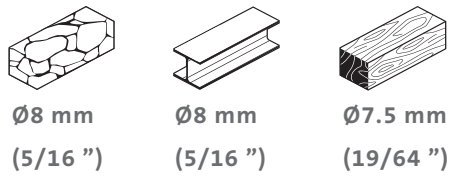
*Floor plate square, two floor types*



*Floor plate round, one or two floor types*



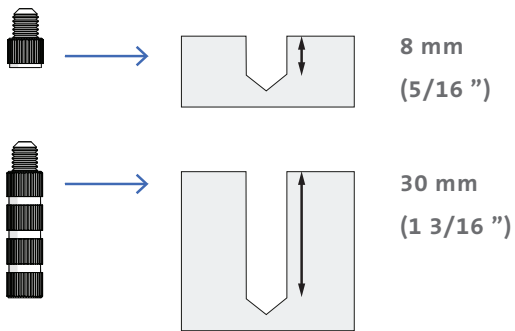
- 4 Select the correct drill bit for the floor and determine the drilling depth.



Ø8 mm  
(5/16 ")

Ø8 mm  
(5/16 ")

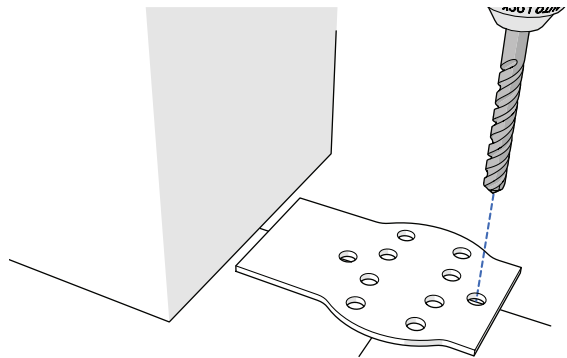
Ø7.5 mm  
(19/64 ")



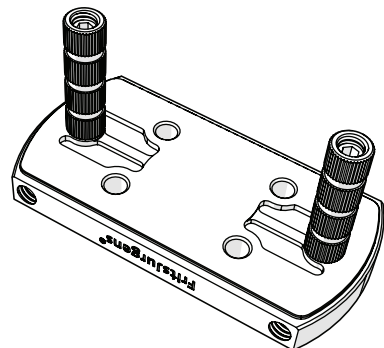
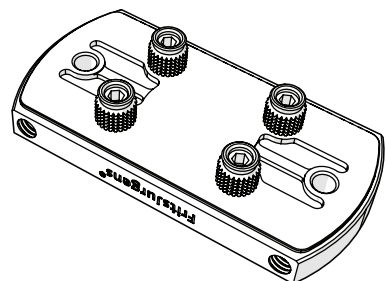
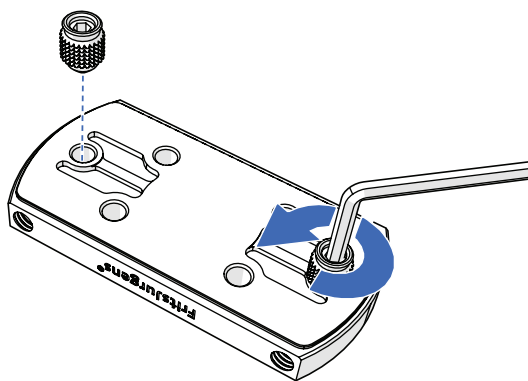
8 mm  
(5/16 ")

30 mm  
(1 3/16 ")

- 5 Drill the holes in the floor on the marked spots.



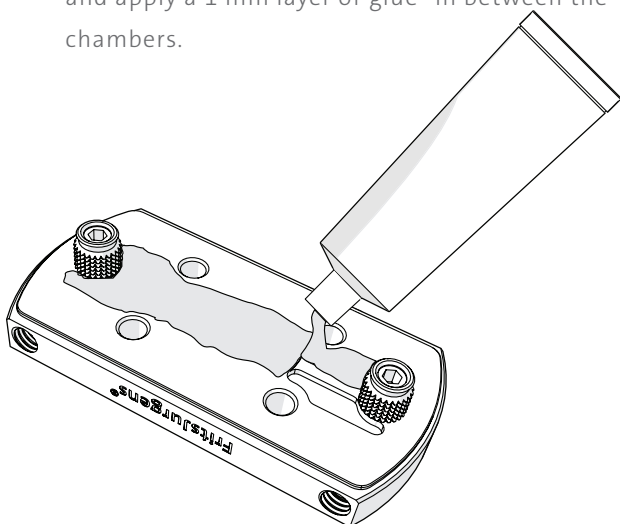
- 6 Determine the pin configuration for your situation. If necessary, use Allen key 3 to unmount the pre-installed pins and install the correct configuration.



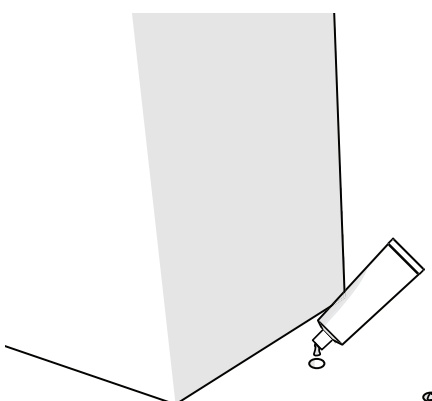
# MOUNTING

---

- 7 Fill the glue chambers in the floor plate with glue and apply a 1 mm layer of glue\* in between the chambers.

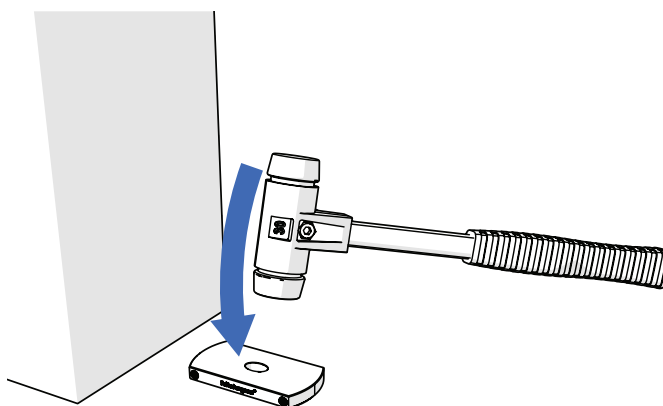
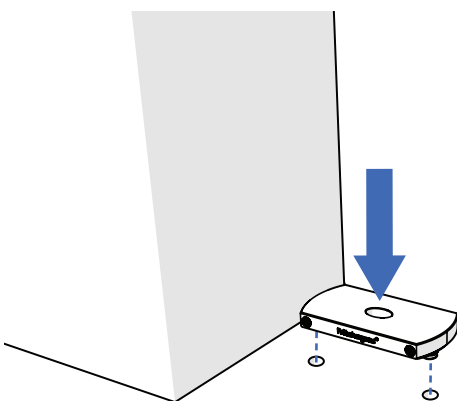


- 8 Add glue in the holes in the floor. Make sure the holes don't overflow when you place the floor plate.



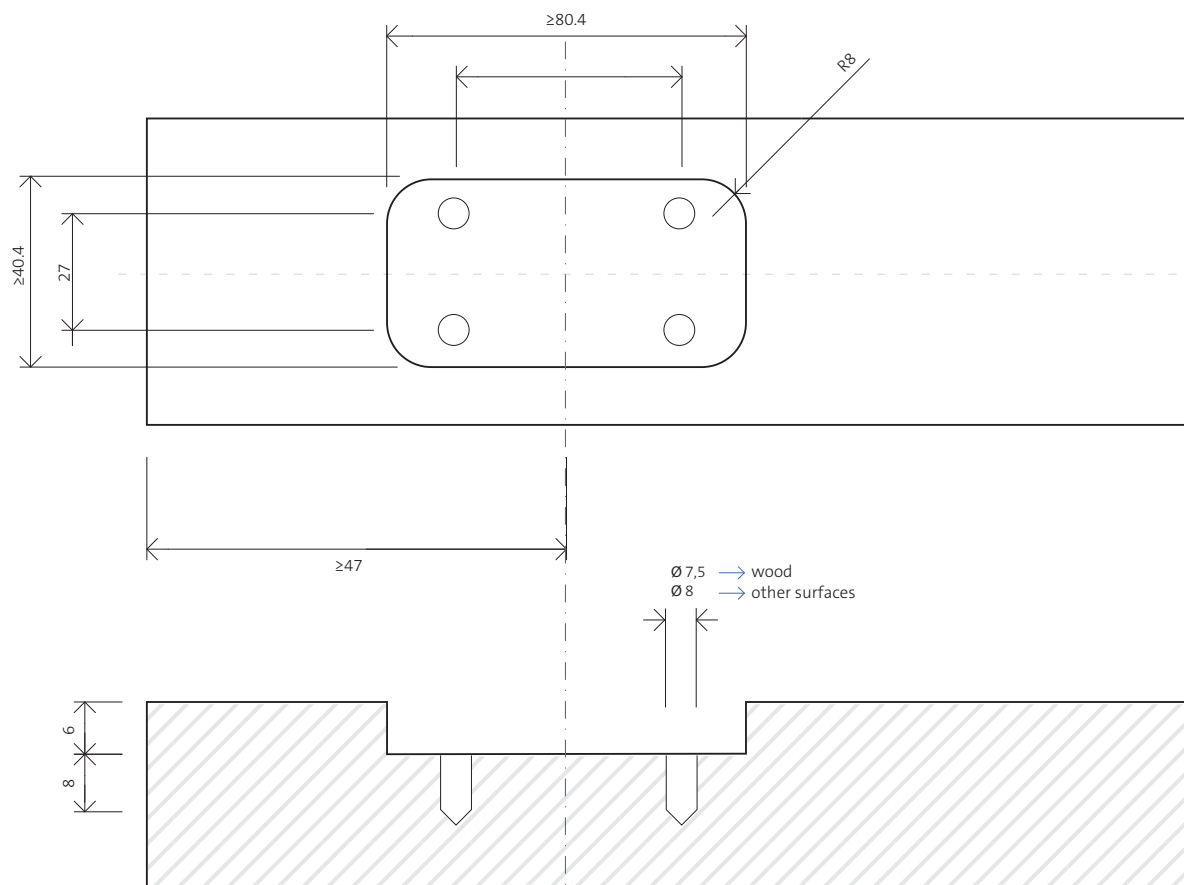
\* Scan the QR code for information about drying time and glue specifications.

- 9 Use a rubber hammer to affix the floor plate.

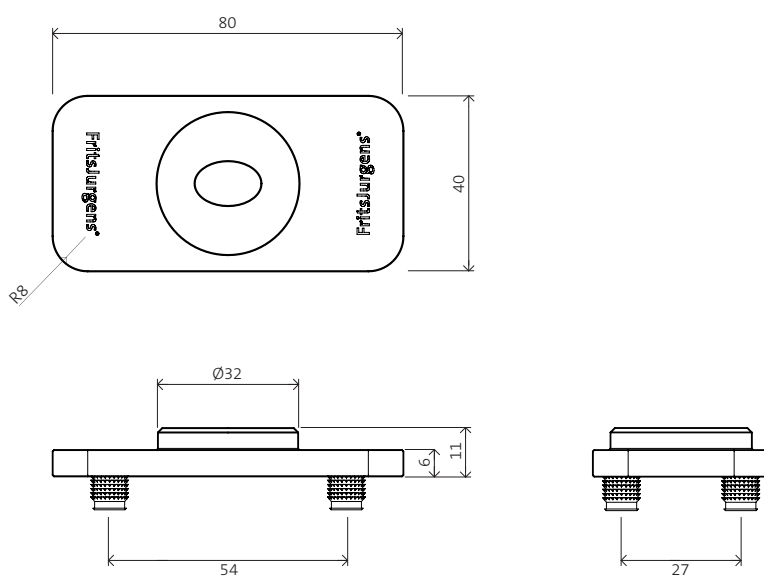


→ continue on page 21

FLOOR PLATE FLUSH ROUNDED  
PREPARING THE FLOOR OR SILL



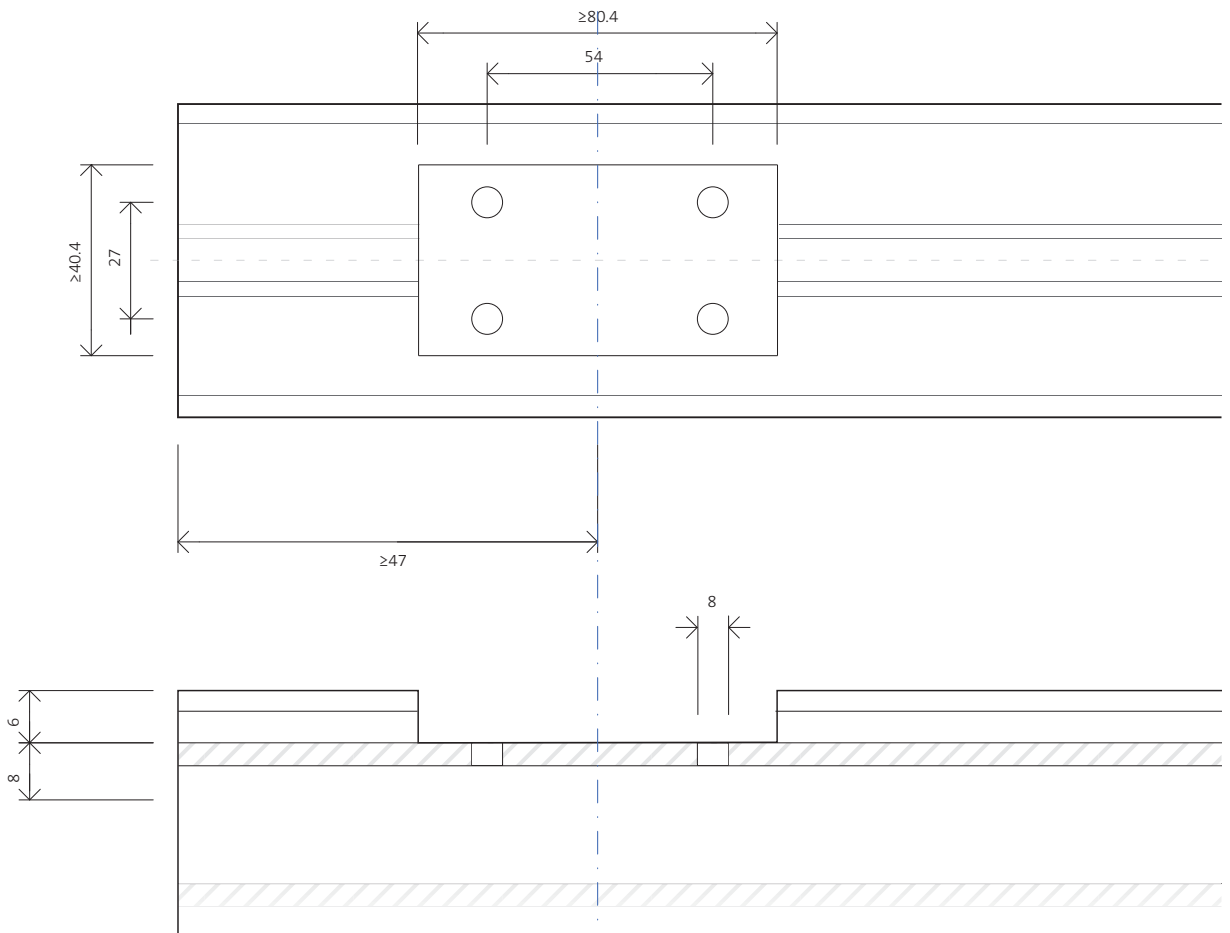
DIMENSIONS



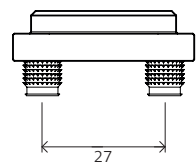
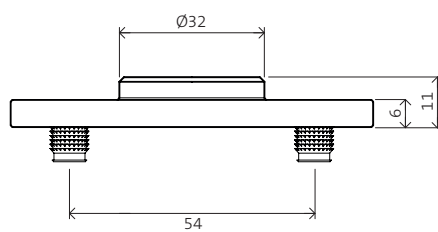
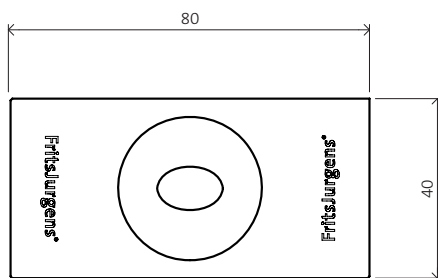
→ follow steps 7, 8 and 9 on page 18

# MOUNTING

## FLOOR PLATE FLUSH SQUARE PREPARING THE FLOOR OR SILL



## DIMENSIONS

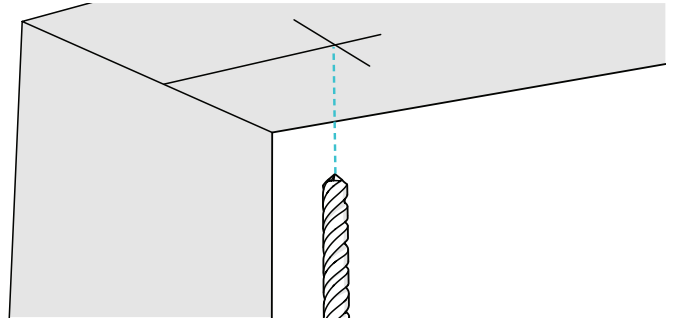


→ follow steps 7, 8 and 9 on page 18

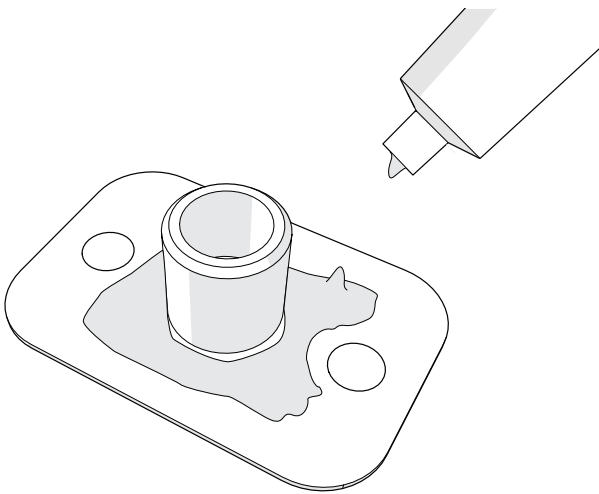
CEILING PLATE

1 Drill a hole for the ceiling plate.

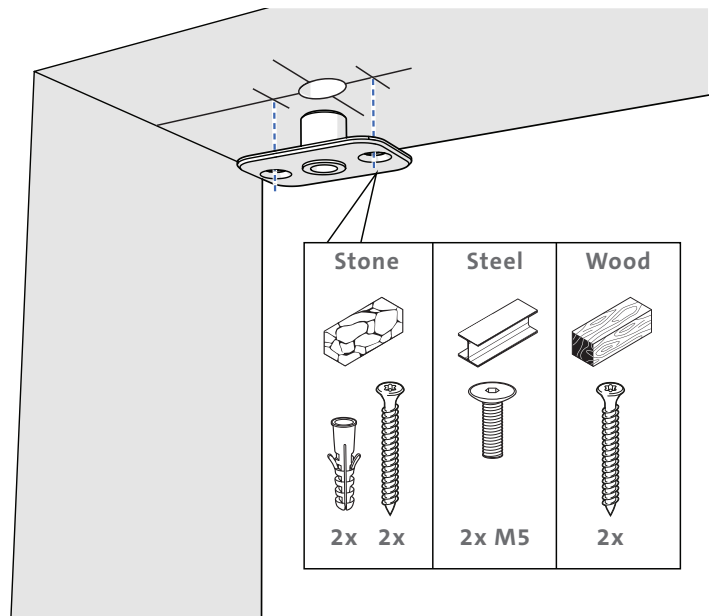
Ceiling plate 10 mm pin		Depth 20 mm (25/32 ")	Diameter Ø18 mm (45/64 ")
Ceiling plate 15 mm pin		Depth 20 mm (25/32 ")	Diameter Ø20 mm (25/32 ")
Ceiling plate cable grommet		Depth N.A.	Diameter Ø21 mm (45/64 ")



2 Apply a 1 mm thick layer of glue to the ceiling plate.

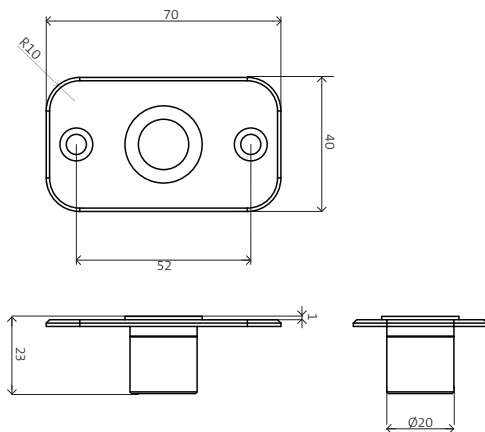


3 Affix the ceiling plate.

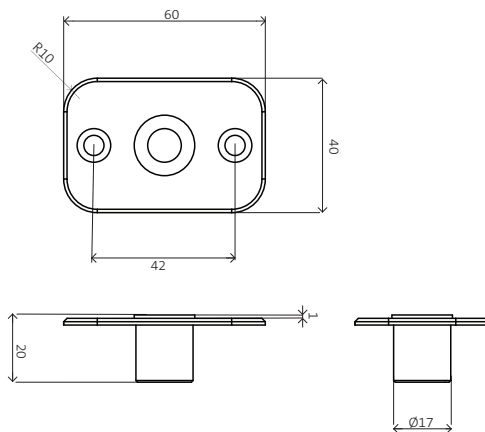


DIMENSIONS

Ceiling plate - Class G



Ceiling plate - Class B

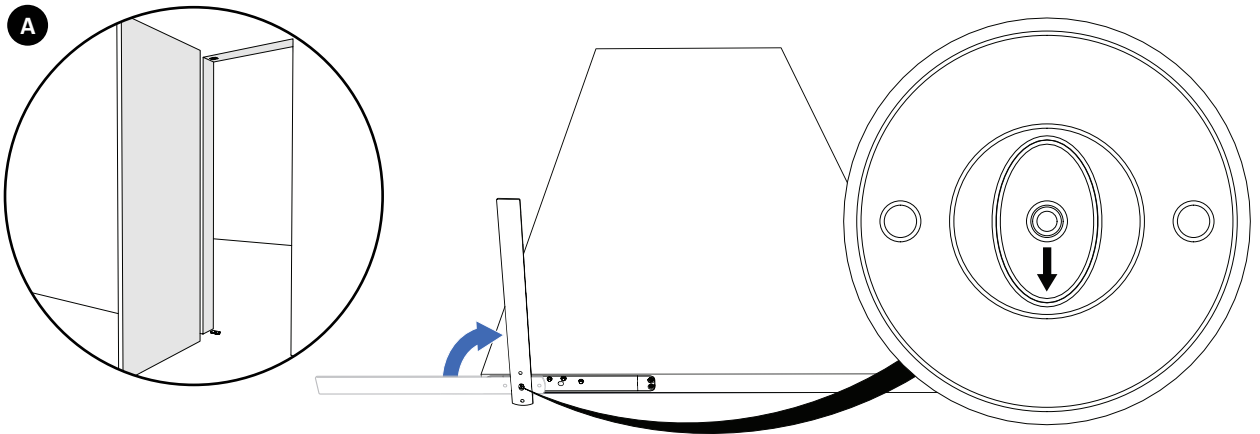


# MOUNTING

---

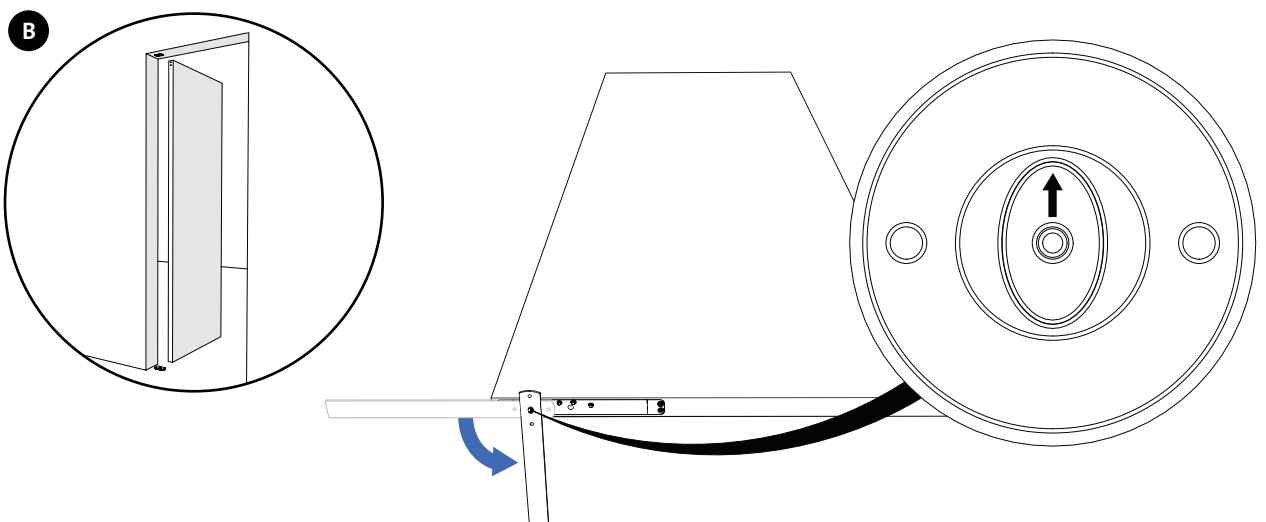
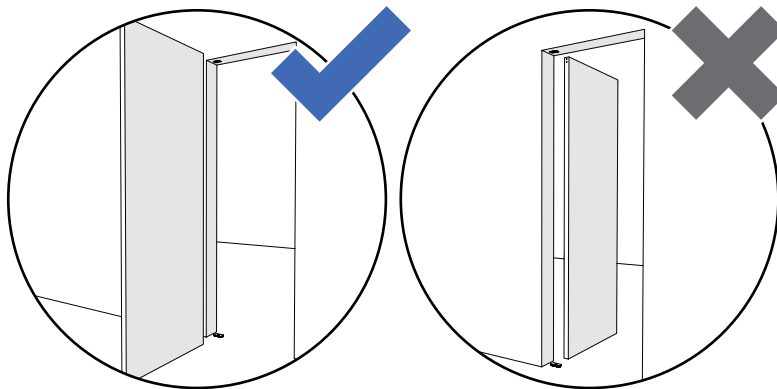
## DOOR

- 1 Determine in which direction you will install the door. Turn the arrow on the system's spindle so it points to the latch side of the door when you install it. You can do this with the axle wrench or floor plate.



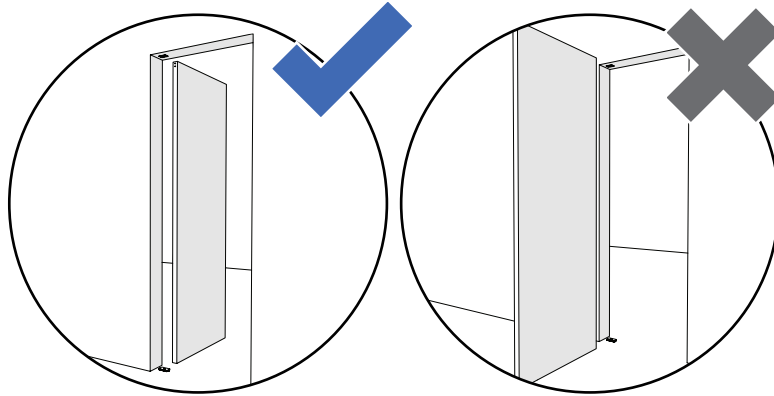
### PAY ATTENTION

If you need to take the door out of the floor plate during the mounting process, always put it back the same way. If you do not do that, the arrow will point in the wrong direction, and the system will not function correctly.



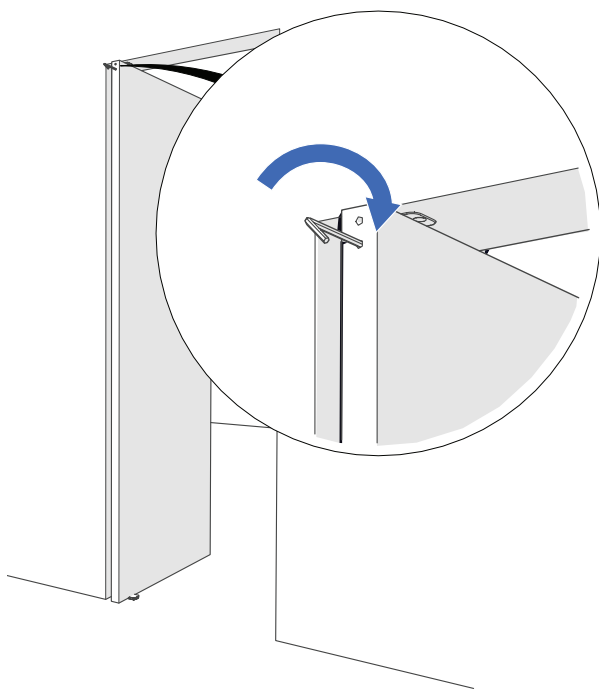
**PAY ATTENTION**

If you need to take the door out of the floor plate during the mounting process, always put it back the same way. If you do not do that, the arrow will point in the wrong direction, and the system will not function correctly.

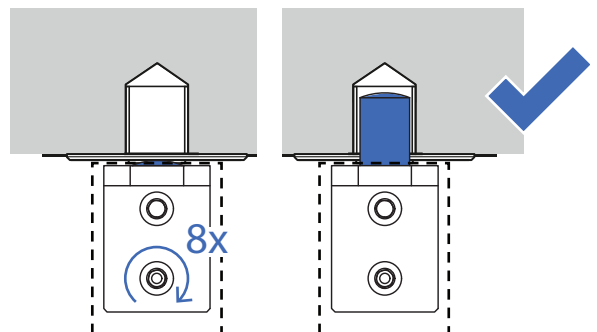


- 2 Position the door on the floor plate and align it with the ceiling plate.

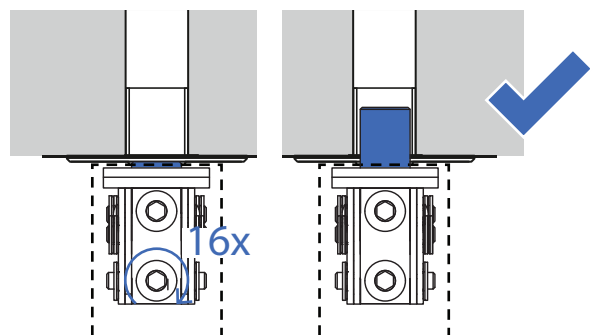
- 3 Extend the pivot with Allen key 5 or use the Hexagon Guide (page 12, item 6.2).



Top pivot 40 mm / 70 mm → Turn the key **8** times.



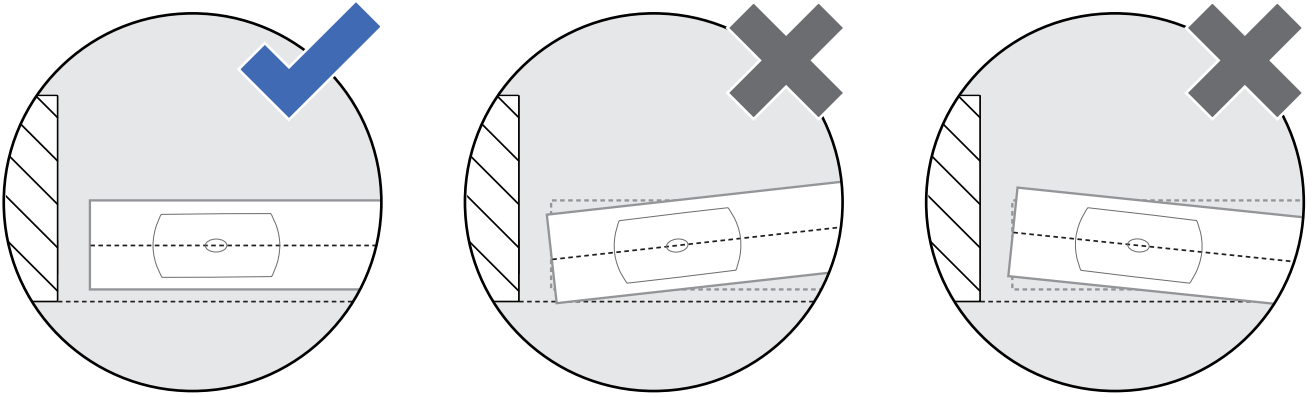
Top pivot cable grommet → Turn the key **16** times.



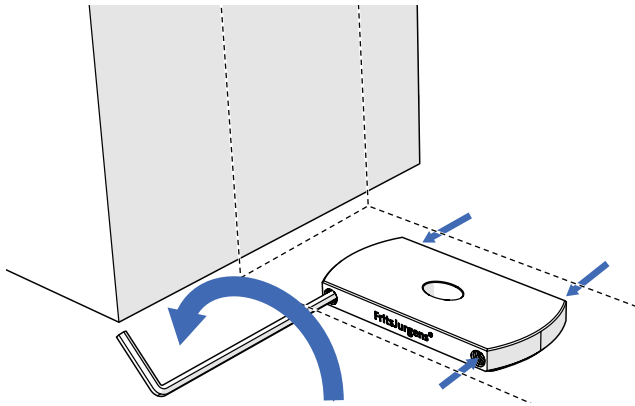
# MOUNTING

## FINE-TUNING RADIAL POSITION\*

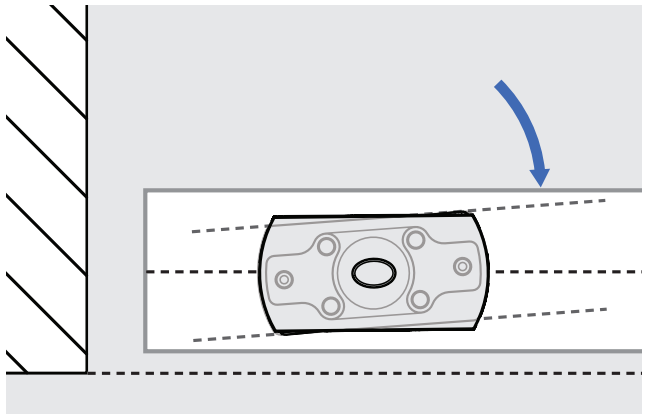
1 Check the radial alignment of the door.



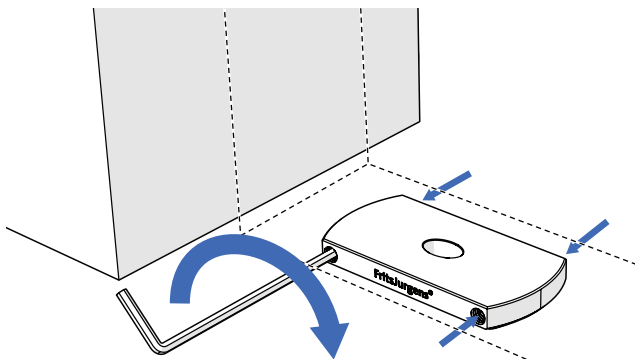
2 If the door is not properly aligned, unlock the floor plate with Allen key 3.



3 Rotate the floor plate until the door is aligned parallel to the wall.



4 Lock the floor plate.

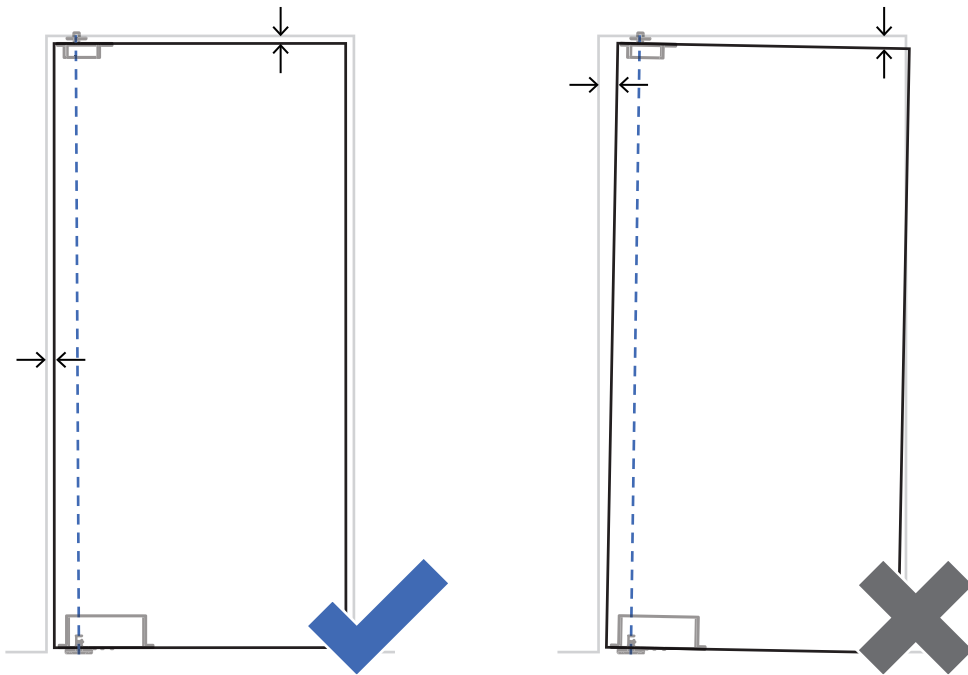


\* Does not apply to floor plate Flush

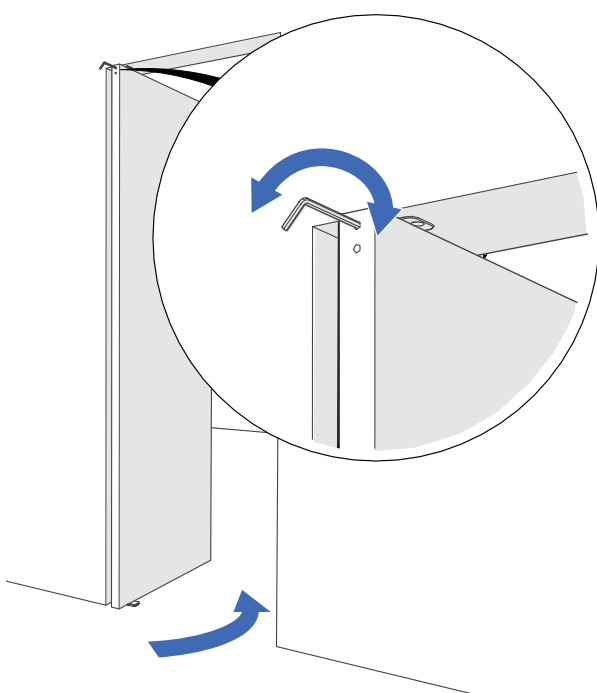


## FINE-TUNING THE CLOSING SEAM

- 1 Check if the door is aligned parallel to the ceiling and the wall.



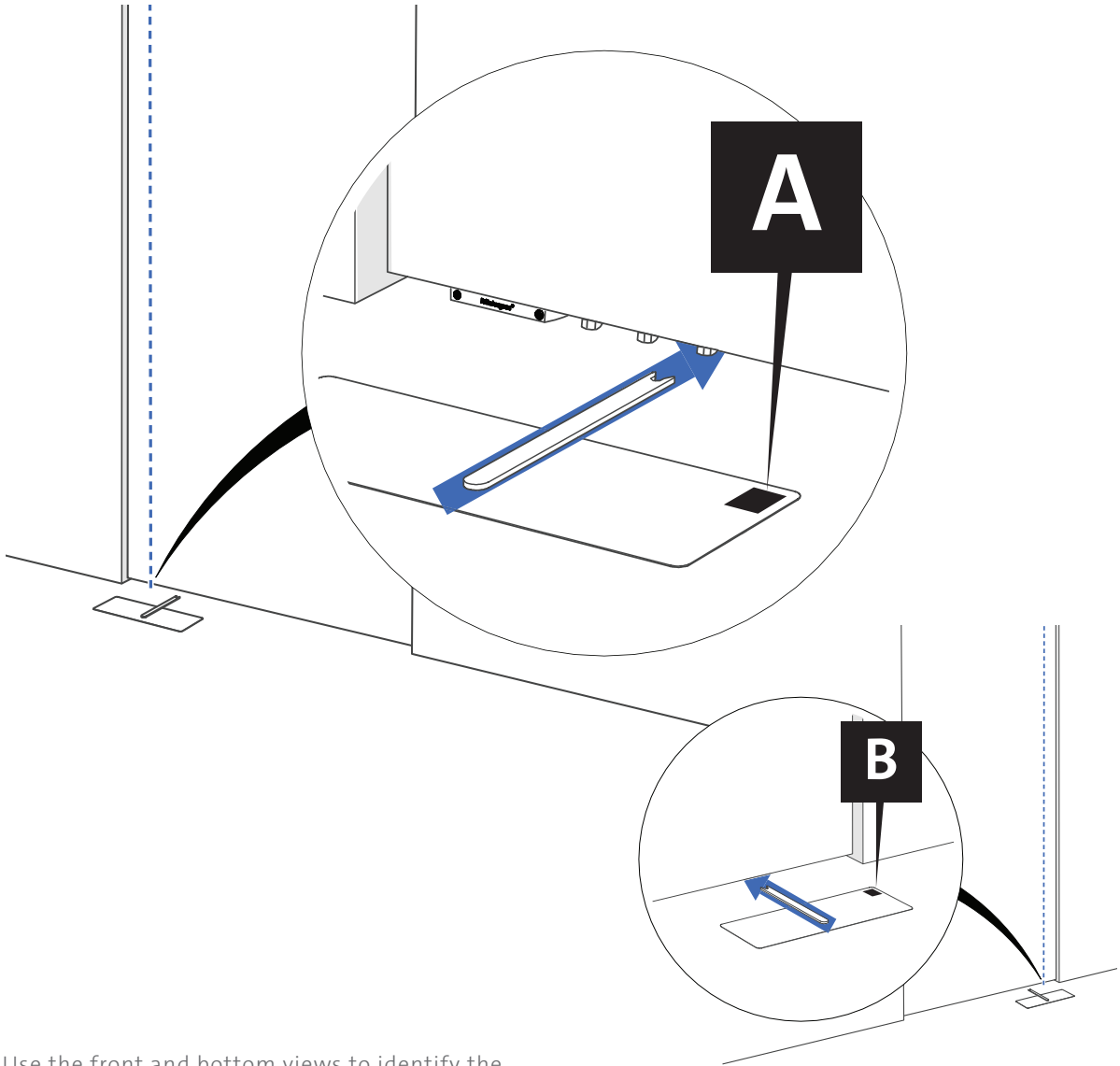
- 2 Open the door. Use Allen key 5 or the hexagon (page 12, item 6.2) until the door is aligned parallel to the ceiling and the wall.



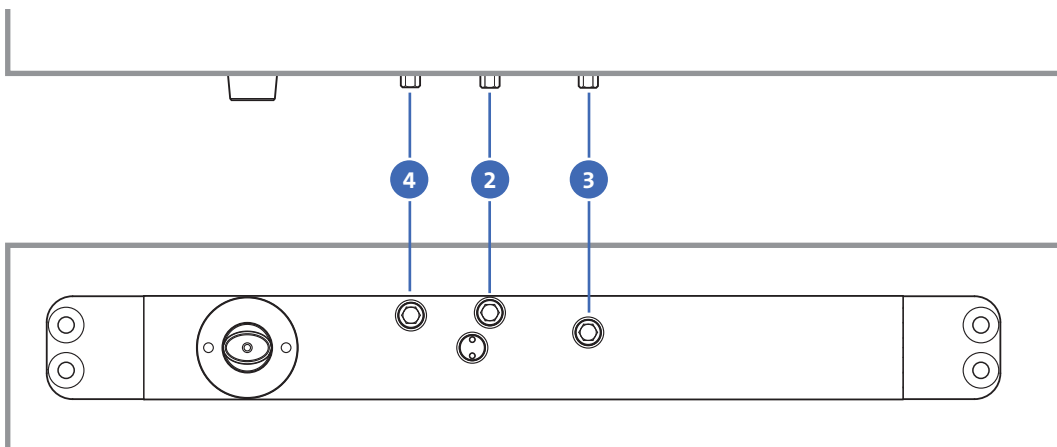
# MOUNTING

## FINETUNING MOVEMENT

- 1 Use the reference sheet and the adjustment spanner to finetune the movement of the door.

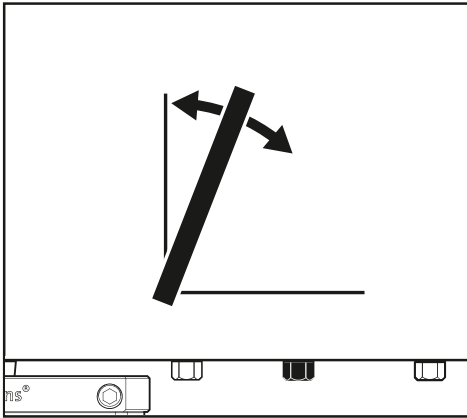


Use the front and bottom views to identify the adjustment screws.

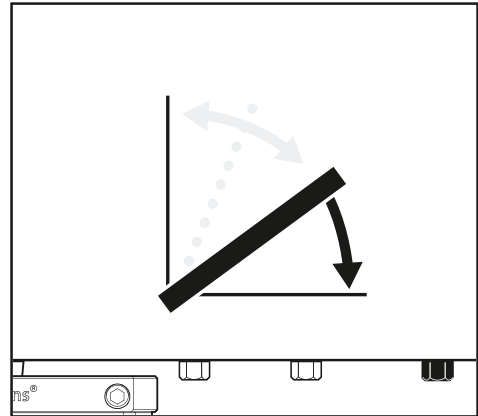


Beware! Rotate the adjustment screws incrementally with steps of **≈ 10 degrees** at a time. To return the door's adjustments to factory settings continue to 'Reset the system' on page 27.

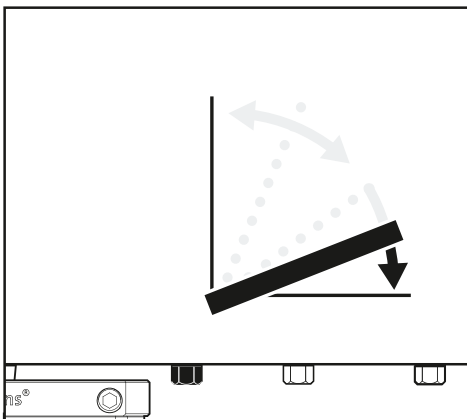
- 2 Adjust **Damper Control** to determine the door's opening speed (hydraulic backcheck).



- 3 Adjust **30° Speed Control** to determine the door's speed in the last 30° of the closing movement.



- 4 If your door has latching bolts, use **Latch Control** to make sure the door latches properly.



RESET THE SYSTEM

- 1 Closing all of the adjustment screws by turning them towards the tortoise (counterclockwise) until you feel a slight resistance.
- 2 Open the adjustment screws (clockwise) to the correct angle as shown in the table below.

System	Latch	Speed	Damper
System M32	-	-	180 degrees
System M32+	If necessary: 180 degrees	90 degrees	180 degrees
System M42+	If necessary: 180 degrees	90 degrees	270 degrees

For more information, scan the QR code:



# FritsJurgens®

## **FRITSJURGENS INTERNATIONAL**

A. Einsteinlaan 1  
9615 TE Kolham  
The Netherlands  
+31 598 343 410  
info@fritsjurgens.com

## **FRITSJURGENS ITALIA (COMMERCIAL OFFICE)**

Via Marsilio Ficino 22  
50132 Firenze  
Italy  
+39 055 064 0290  
info@fritsjurgens.com

## **FRITSJURGENS CONSULTING FZE (REGIONAL SALES OFFICE)**

Premises No. HD67  
Floor 25  
Sheikh Rashid Tower  
Dubai World Trade Centre  
Dubai UAE

FJ.IN.M.EN.2022

Copyright © FritsJurgens®

17-04-2023

