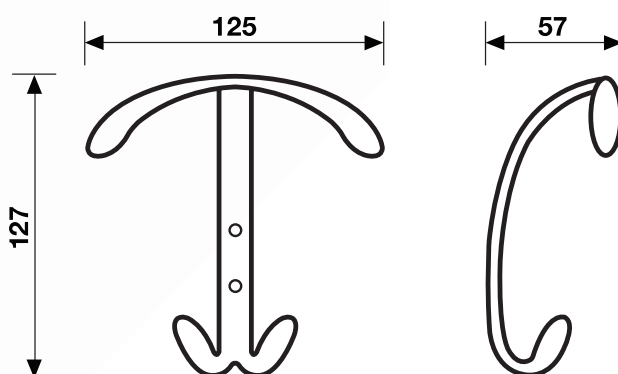


E 182

design Valli Workshop



E 182

Portabito

Coathook

Ottone / Brass

Oro Lucido / Polished Brass

Cromo / Chrome

Cromsatin / Satin Chrome

Brunito / Burnished