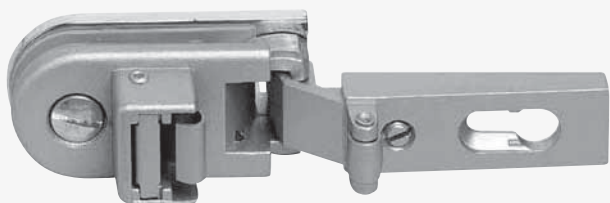


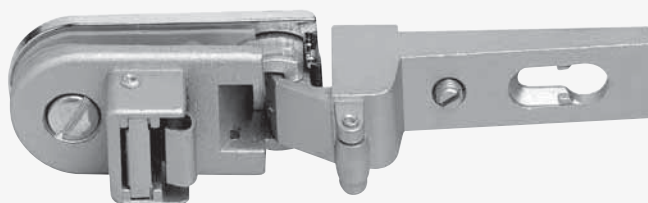
CF01028

CF01027

cerniera per ante in vetro - hinge for glass door



CF01028



CF01027

materiale
cerniera in metallo pressofuso
perni, rullino, molla e grani in
acciaio,
guarnizioni in politene

material
die-cast metal hinge,
pins, cylinder, spring and
dowels made in steel
polythene seals

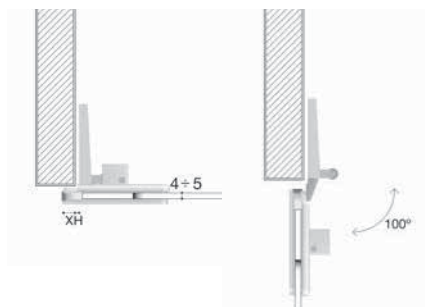
finiture
cromo lucido
nicel satinato

finishings
polished chrome
satin finish nickel

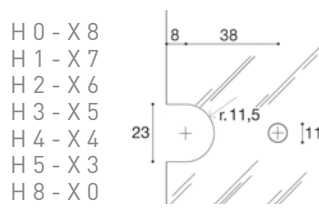
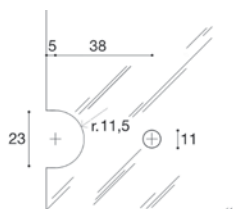
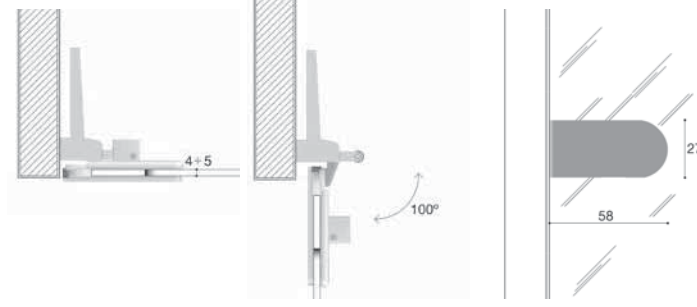
note
Gli articoli CF01027
e CF01028 possono essere
assemblati con le basette
AH e BH regolabile.
CF01027: spessore min.
basetta: 2 mm

notes
Articles CF01027
and CF01028 can be fitted
with the anchor plates
AH and adjustable BH.
CF01027: anchor plate
min. thickness: 2 mm

CF01028



CF01027



- H 0 - X 8
- H 1 - X 7
- H 2 - X 6
- H 3 - X 5
- H 4 - X 4
- H 5 - X 3
- H 8 - X 0