



INCONTRO DOPPIO



Incontro doppio | Double rod junction
 Gache double | Encuentro pletina doble



Incontro in zama;
 grani in acciaio inox.



Zamak junction ;
 setscrew pin in
 stainless steel.



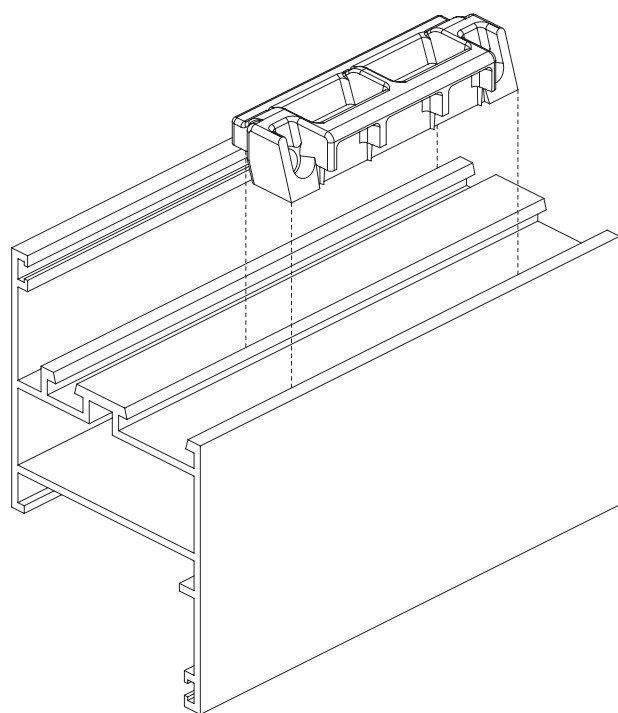
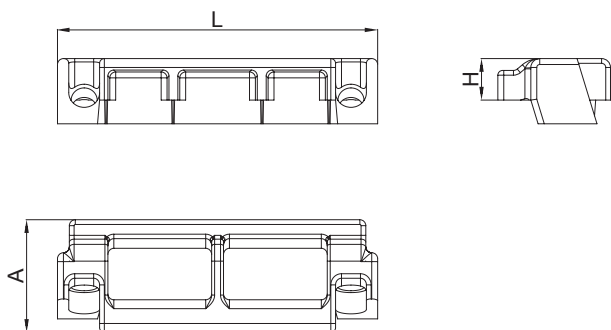
Gâche en zamak;
 grain en acier inox.



Encuentro en zama;
 prisioneros en acero
 inoxidable.

| | | | | |
|---|--------|---|---|---|
| ART. | 4206 | | | |
| Imballo Package Conditionnement Embalaje | 100 Pz | | | |
| Finiture disponibili Available finishes Finitions disponibles Acabados disponibles | 1 | 2 | 3 | 4 |

Art. 4206



| ART. | L | A | H | NODO SECTION |
|------|----|----|---|---|
| 4206 | 54 | 19 | 7 | A01 - A02 - A05 - A06 - A20 - A21 - A22 - B01 - B02 - B03 |