

ART. **3320**

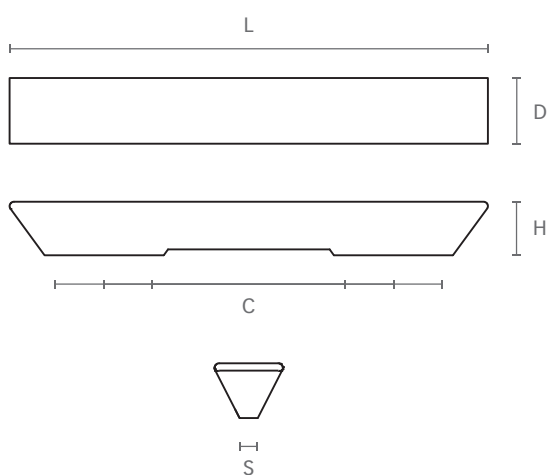
design: Rigo



Maniglia in zama pressofusa multi interasse, completa di viti M4 x 25.

Die-cast zamac handle multy cc, with M4 x 25 screws included.

Misure / Sizes



Finiture / Finishes



Bianco  
White



Antracite  
Anthracite



Cromo  
Chrome



Nichel satinato  
Satinated nickel

| ART.  | L   | C           | H  | D  | S   |
|-------|-----|-------------|----|----|-----|
| 3320A | 350 | 320/288/256 | 18 | 22 | 6,5 |
| 3320B | 223 | 192/160     | 18 | 22 | 6,5 |
| 3320C | 158 | 128/96/94   | 18 | 22 | 6,5 |
| 3320D | 54  | 32/16       | 18 | 22 | 6,5 |