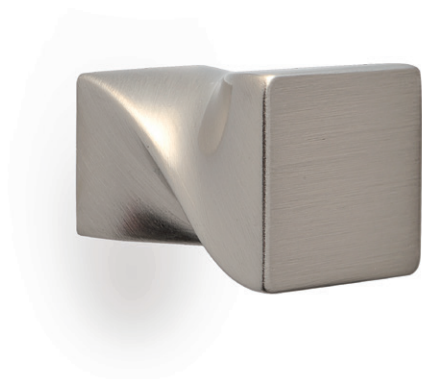


ART. **145**

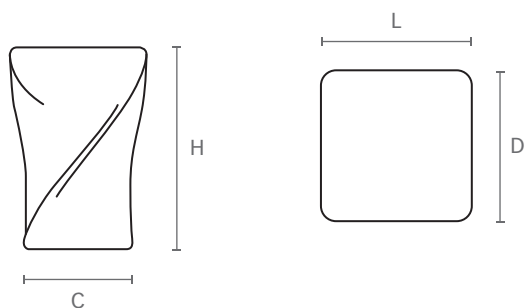
design: Carlo Martin



Pomolo in zama pressofusa, completo di vite M4 x 25.

Die-cast zamac knob, complete M4 x 25 screw.

Misure / Sizes



Finiture / Finishes



Cromo
Chrome



Nichel satinato
Satined nickel

ART.	L	C	H	D
145	20	16	30	20