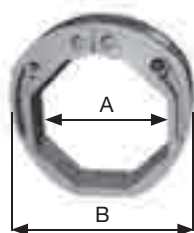
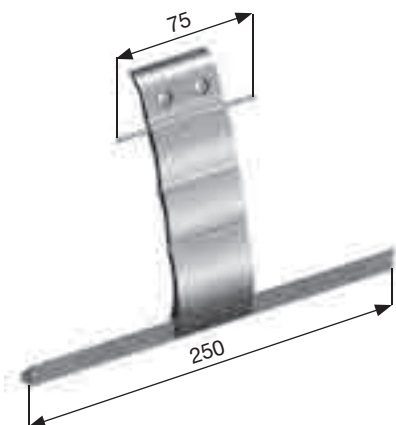
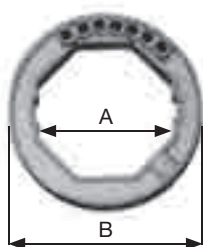


DISPOSITIVI DI SICUREZZA SECURITY DEVICES



ADATTATORE PER "EUROBLOCK" ADAPTER RING "EUROBLOCK"

| | | |
|--------------------|---|------------|
| 475.A.00.90 | Per rullo Ø 60 mm (A) for roller Ø 60 mm | B = 88 mm |
| 475.A.40.90 | Per rullo Ø 40 mm (A) for roller Ø 40 mm | B = 69 mm |
| 475.A.70.90 | Per rullo Ø 70 mm (A) for roller Ø 70 mm | B = 104 mm |

"EUROBLOCK"

| | | |
|--------------------|---------------------|------------------------------------|
| 475.S.3E.90 | 3 elementi/ 3 links | Per stecca 14 mm For slat 14 mm |
| 475.S.4E.90 | 4 elementi/ 4 links | Per stecca 14 mm For slat 14 mm |
| 475.S.M2.90 | 2 elementi/ 2 links | Per stecca 9 mm For slat 9 mm |
| 475.S.M3.90 | 3 elementi/ 3 links | Per stecca 9 mm For slat 9 mm |

ADATTATORE PER "SUPERBLOCK" ADAPTER RING "SUPERBLOCK"

| | | |
|--------------------|---|-----------|
| 477.A.S6.90 | Per rullo Ø 60 mm (A) for roller Ø 60 mm | B = 80 mm |
| 477.A.S7.90 | Per rullo Ø 70 mm (A) for roller Ø 70 mm | B = 90 mm |

"SUPERBLOCK"

| | | |
|--------------------|---------------------|------------------------------------|
| 477.S.N2.90 | 2 elementi/ 2 links | Per stecca 14 mm For slat 14 mm |
| 477.S.N3.90 | 3 elementi/ 3 links | Per stecca 14 mm For slat 14 mm |

"UNIBLOCK" Molle di aggancio rapido sul rullo – profilo intercambiabile di aggancio su stecca da 14 mm e 9 mm Fast coupling on the roller - dual hook for slat 14 mm and 9 mm

| | |
|--------------------|---------------------|
| 479.U.20.90 | 2 elementi/ 2 links |
| 479.U.30.90 | 3 elementi/ 3 links |